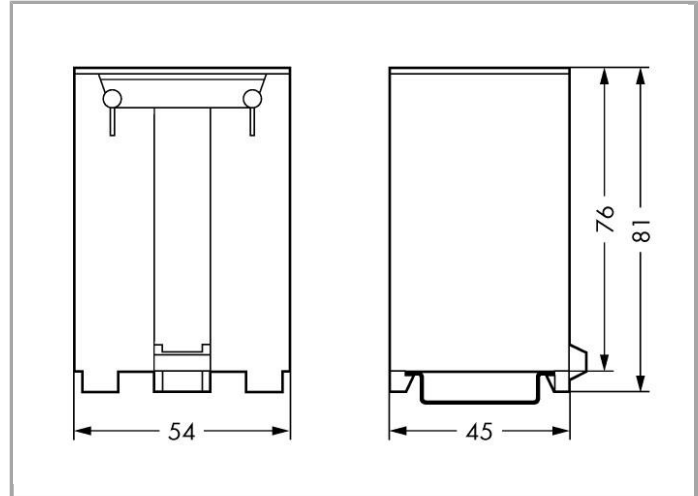
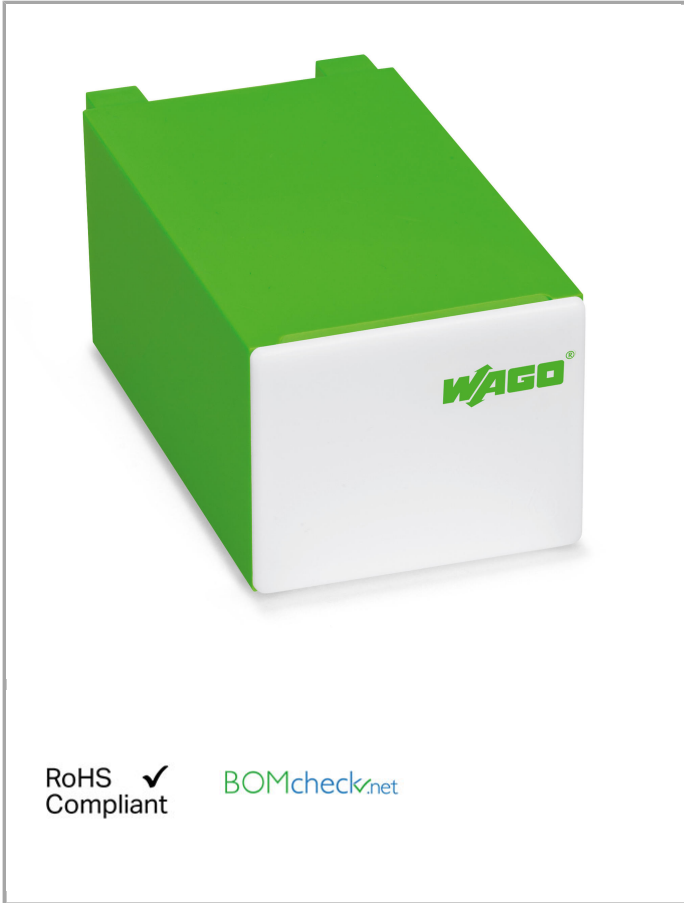


Data sheet | Item number: 709-591

Switchgear cabinet drawer; DIN 35-rail mount drawer

www.wago.com/709-591



Data

Material Data

Weight

45 g

Subject to changes.

WAGO Kontakttechnik GmbH & Co. KG
Hansastr. 27
32423 Minden
Phone: +49571 887-0 | Fax: +49571 887-169
Email: info.de@wago.com | Web: www.wago.com

Do you have any questions about our products?
We are always happy to take your call at 01788 568 008.