



2-conductor diode terminal block; with diode 1N4007

Item No.: 2002-1211/1000-411



Marking

RoHS ✓
Compliant

Business data

Supplier	WAGO
Item no.	2002-1211/1000-411
GTIN / EAN	4045454537654
Content	1

Notes

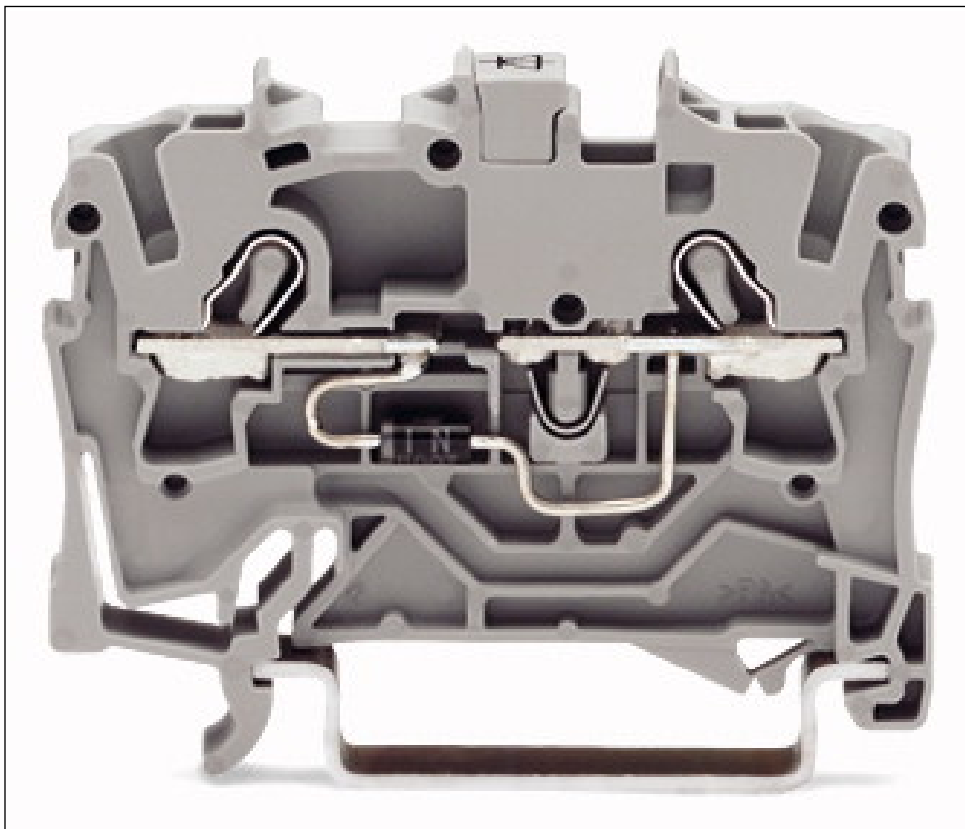
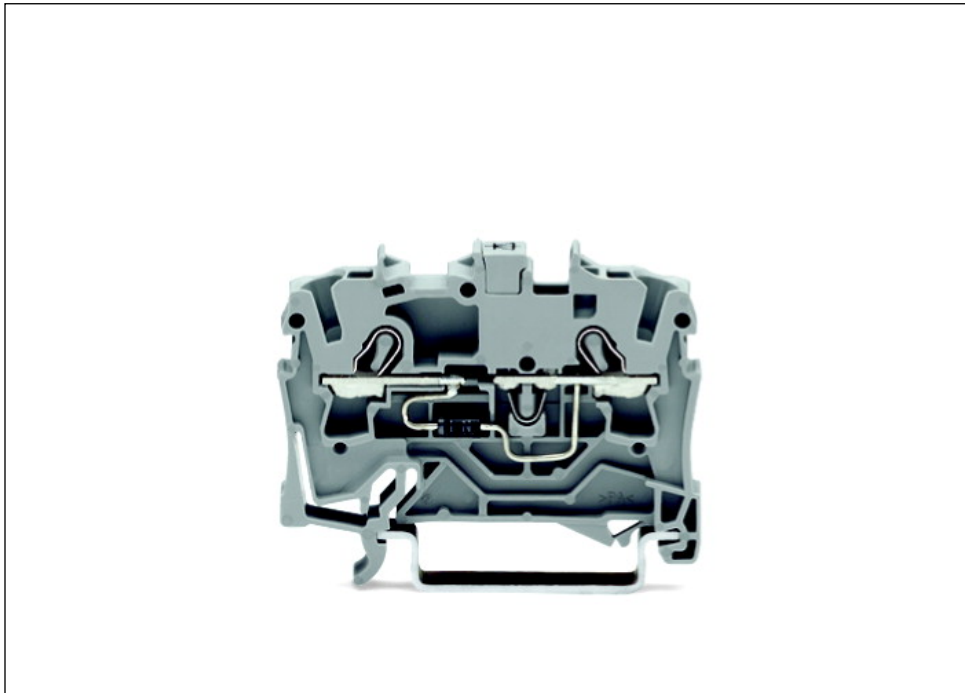
Technical data

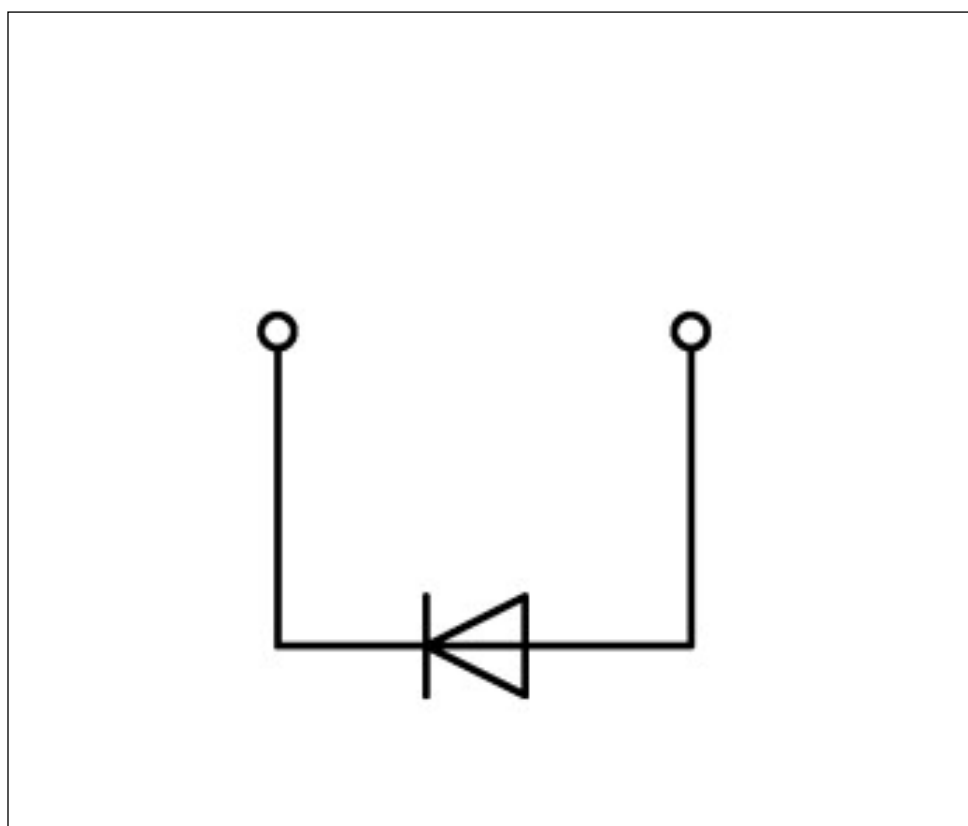
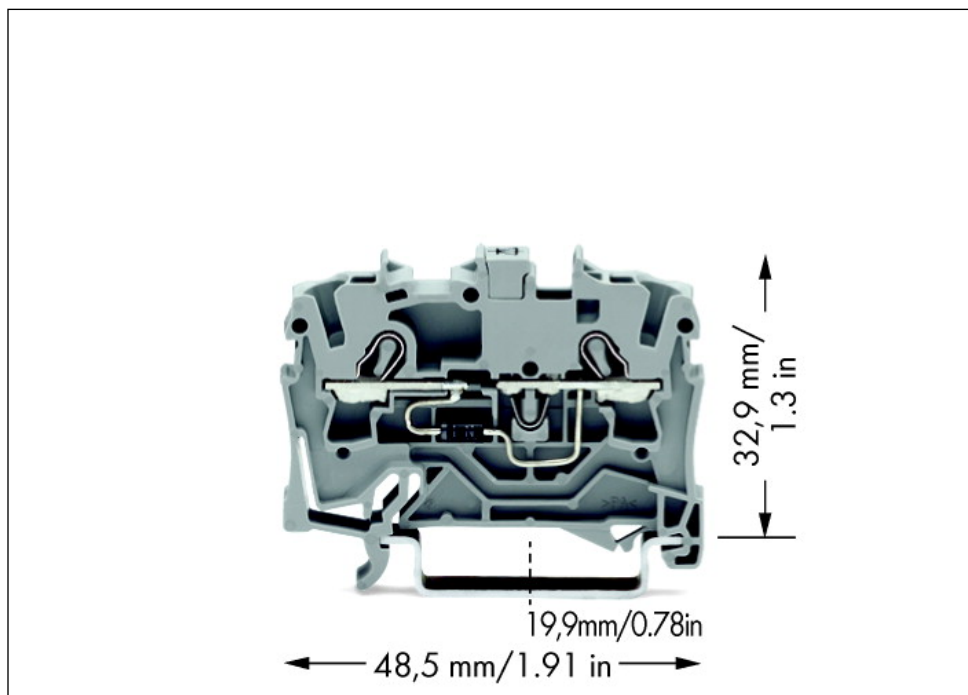
Miscellaneous

Ratings per	IEC/EN 60947-7-1
Rated current [A]	0.5 [A]
Nominal voltage [V]	250 [V]
Reverse voltage [V]	1000 [V]
Type of wiring	Front-entry wiring

Technical data	
Total number of connection points	2
Total number of potentials	1
Number of levels	1
Connection technology	Push-in CAGE CLAMP®
Actuation type	Push-in
Connectable conductor materials	Copper
Nominal cross section	2.5 mm ²
Solid conductor	0.25 ... 4 mm ² / 22 ... 12 AWG
Solid conductor, push-in termination	0.75 ... 4 mm ² / 18 ... 12 AWG
Fine-stranded conductor	0.25 ... 4 mm ² / 22 ... 12 AWG
Fine-stranded conductor with ferrule, push-in termination, f	0.75 mm ² / 18 AWG
Strip length	10 ... 12 mm / 0.39 ... 0.47 Inch
Width	5.2 mm / 0.205 Inch
Height from upper-edge of DIN-35 rail	32.9 mm / 1.295 Inch
Depth	48.5 mm / 1.909 Inch
Design	horizontal
Type of mounting	Carrier rail 35 x 15
Marking level	Center/side marking
Color	gray
Insulating material	Polyamide 66 (PA 66)
Fire load [MJ]	0.129 [MJ]
Weight [g]	5.5 [g]
Product Family	TOPJOB® S
Main product function	Diode terminal block
Product type	Function modules

Images & drawings





Address

WAGO Kontakttechnik GmbH & Co. KG

Hansastr. 27

32423 Minden

Telefon: 0571/887-0

Fax: 0571/887-169

<http://www.wago.com>

© WAGO Kontakttechnik GmbH & Co. KG

Technische Änderungen und Irrtümer vorbehalten.