

## Product information

# 35 32 115 ESD

## Electronics Pliers ESD

DIN ISO 9655 DIN EN 61 340-5

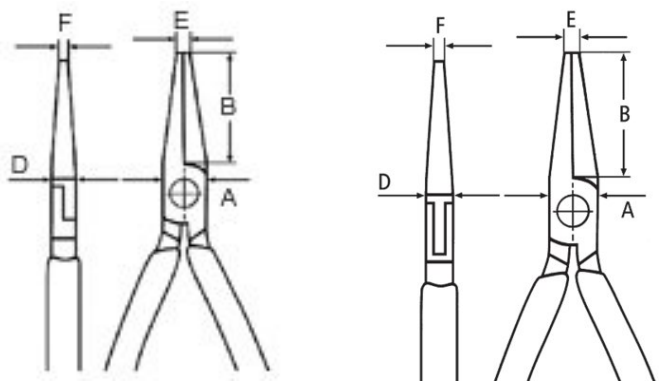


- Precision pliers for fine assembly work, e.g. in electronics and fine mechanics
- For gripping, holding and bending
- Electrically discharging handles - dissipative
- Sturdy, zero backlash box joint
- Smooth ground gripping surfaces
- Edges carefully deburred
- Low-friction double spring for gentle and even opening
- The mirror polish together with a fine film of oil offer effective rust protection - no circuit faults caused by peeling chrome from plated tools
- Handles with two-colour multi-component grips black/grey
- Round, pointed jaws
- Ball bearing chrome steel, oil hardened



| General     |                              |
|-------------|------------------------------|
| Article No. | 35 32 115 ESD                |
| EAN         | 4003773024859                |
| Head        | mirror polished              |
| Handles     | with multi-component grips   |
| weight      | 70 g                         |
| Dimensions  | 115 x 71 x 17 mm             |
| Standard    | DIN ISO 9655 DIN EN 61 340-5 |
| Reach       | no                           |
| RohS        | no                           |

| Technical details  |         |
|--------------------|---------|
| Style              | 3       |
|                    | 22.5 mm |
|                    | 6.5 mm  |
| Tips width (E)     | 2.0 mm  |
| Tips thickness (F) | 1.0 mm  |
| Head width (A)     | 11.0 mm |
| ESD                | yes     |



**Classification**

|                |            |
|----------------|------------|
| eCl@ss 5.1.4   | 21040301   |
| proficl@ss 6.0 | EAA840c015 |
| UNSPSC 13.1    | 27112149   |

*technical change and errors excepted*

