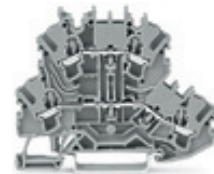




Double-deck terminal block; Through/through terminal block; L/L;
without marker carrier; gray housing; suitable for Ex e II
applications

Item No.: 2002-2201



Marking

RoHS ✓
Compliant

Business data

| | |
|------------|---------------|
| Supplier | WAGO |
| Item no. | 2002-2201 |
| GTIN / EAN | 4044918753517 |
| Content | 1 |
| | |
| | |

Notes

Technical data

Miscellaneous

| | |
|--------------------------------------|------------------|
| | |
| Ratings per | IEC/EN 60947-7-1 |
| Rated voltage (III / 3) [V] | 500 [V] |
| Rated impulse voltage (III / 3) [kV] | 6 [kV] |
| Rated current [A] | 24 [A] |

| Technical data | |
|--|---|
| Rated current (2) [A] | 28 [A] |
| Rated voltage EN (Ex e II) [V] | 440 [V] |
| Rated current (Ex e II) [A] | 20 [A] |
| Rated current (Ex e II) with jumper [A] | 18 [A] |
| Legend (ratings) | (III / 3) Overvoltage category III / Pollution degree 3 |
| Type of wiring | Front-entry wiring |
| Total number of connection points | 4 |
| Total number of potentials | 2 |
| Number of levels | 2 |
| Connection technology | Push-in CAGE CLAMP® |
| Number of connection points (connection type) | 2 |
| Actuation type | Push-in |
| Connectable conductor materials | Copper |
| Nominal cross section | 2.5 mm ² |
| Solid conductor | 0.25 ... 4 mm ² / 22 ... 12 AWG |
| Solid conductor, push-in termination | 0.75 ... 4 mm ² / 18 ... 12 AWG |
| Fine-stranded conductor | 0.25 ... 4 mm ² / 22 ... 12 AWG |
| Fine-stranded conductor with ferrule, push-in termination, f | 0.75 mm ² / 18 AWG |
| Strip length | 10 ... 12 mm / 0.39 ... 0.47 Inch |
| Number of connection points (connection type 2) | 2 |
| Width | 5.2 mm / 0.205 Inch |
| Height from upper-edge of DIN-35 rail | 51.7 mm / 2.035 Inch |
| Depth | 69.7 mm / 2.744 Inch |
| Design | horizontal |
| Type of mounting | Carrier rail 35 x 15 |
| Potential marking | L/L |
| Marking level | Center/side marking |
| Color | gray |
| Insulating material | Polyamide 66 (PA 66) |
| Fire load [MJ] | 0.204 [MJ] |
| Weight [g] | 10.153 [g] |
| Product Family | TOPJOB® S |
| Main product function | Multilevel terminal blocks |

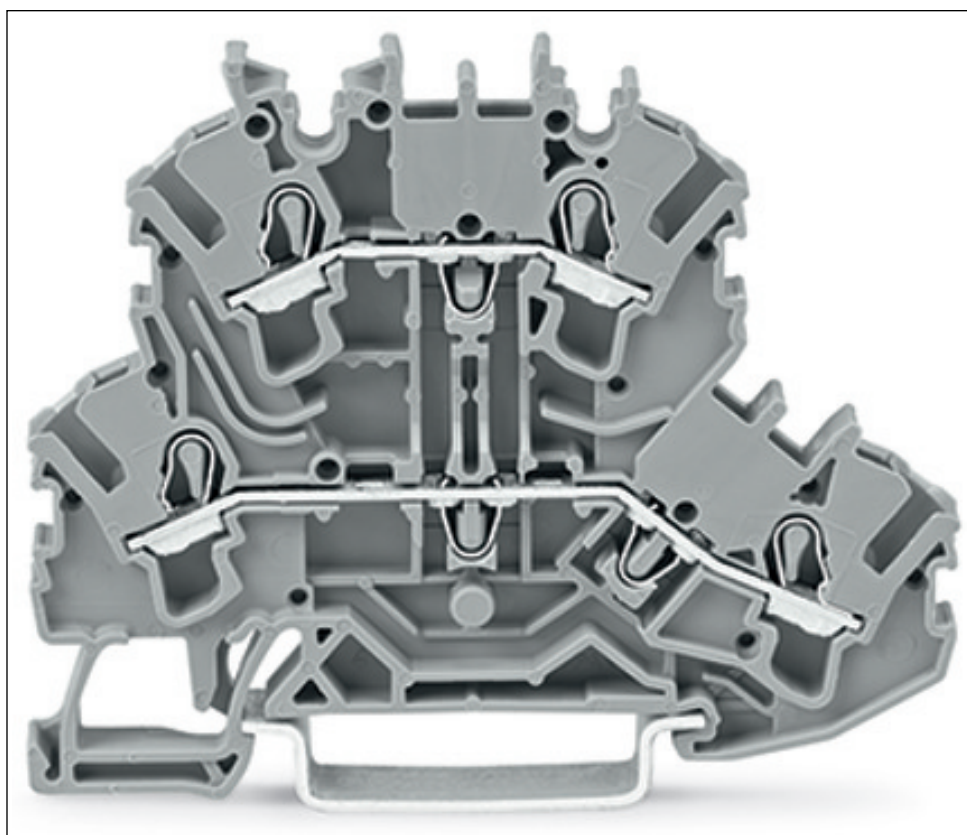
Printview: Double-deck terminal block; Through/through terminal block; L/L; without marker carrier; gray housing; suitable for Ex e II applications - Item No.: 2002-2201

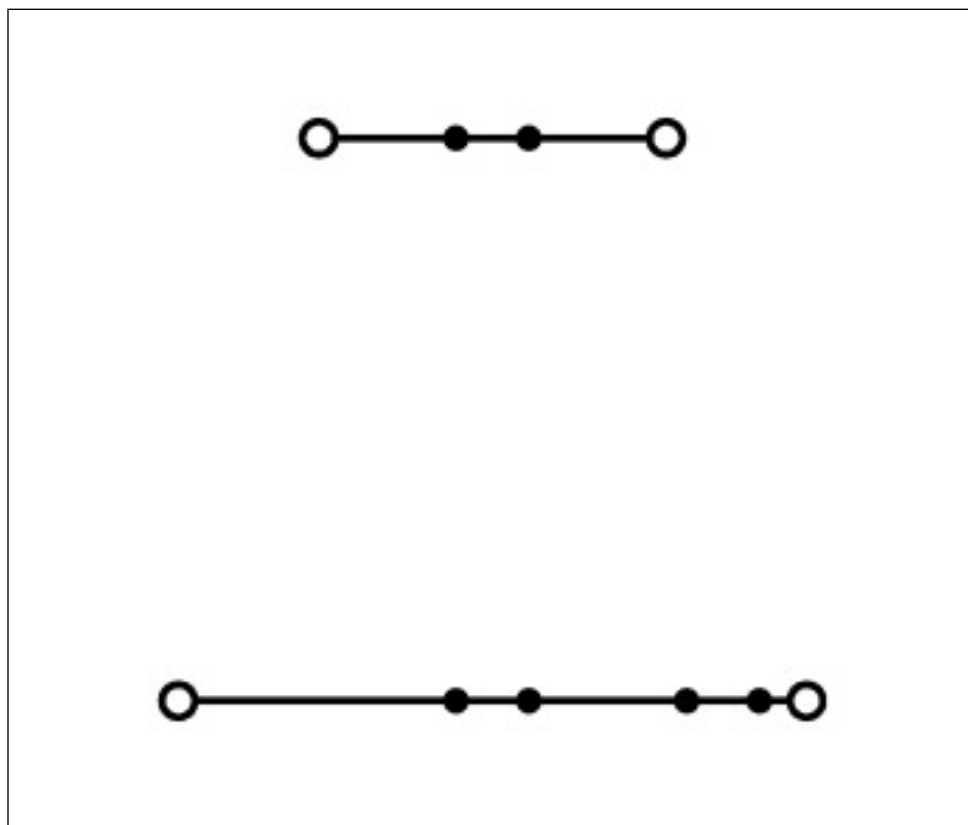
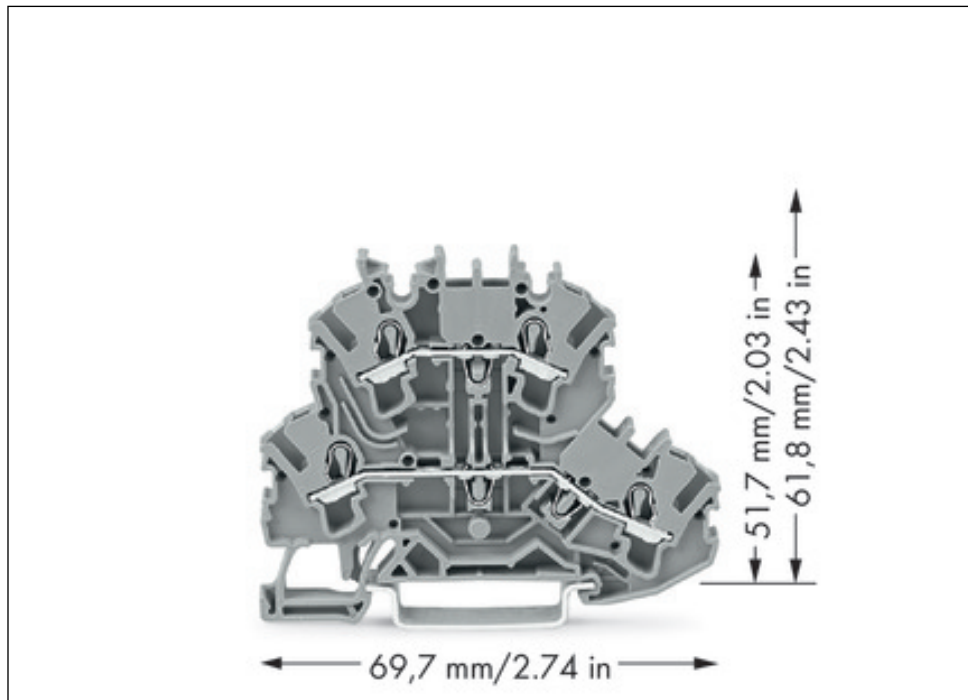
Technical data

Product type

Through rail-mount term. blocks

Images & drawings





Address

WAGO Kontakttechnik GmbH & Co. KG

Hansastr. 27

32423 Minden

Telefon: 0571/887-0

Fax: 0571/887-169

<http://www.wago.com>

© WAGO Kontakttechnik GmbH & Co. KG

Technische Änderungen und Irrtümer vorbehalten.