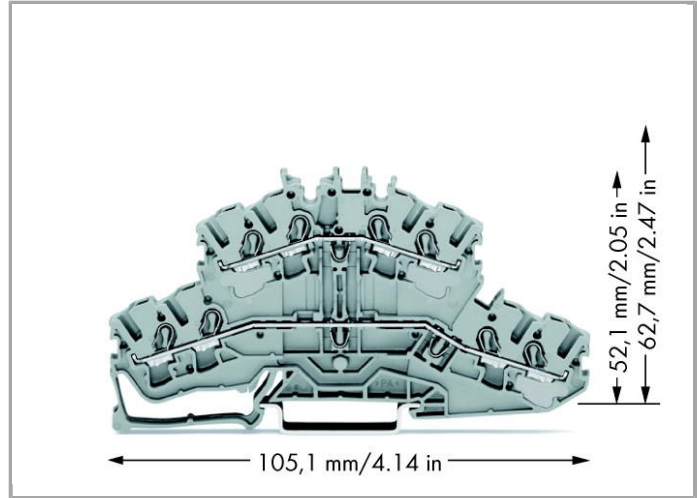
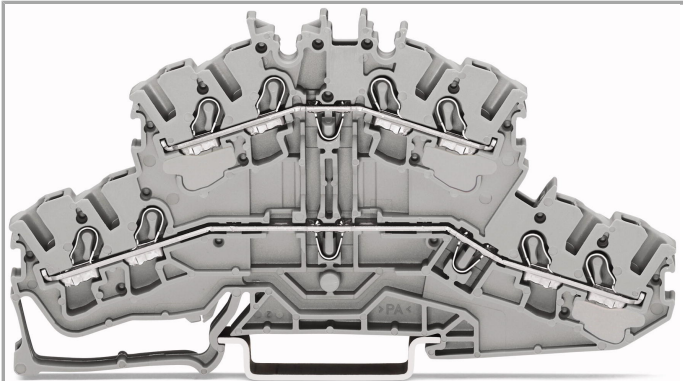


Data sheet | Item number: 2002-2401



4-conductor double deck terminal block; Through/through terminal block; L /L; without marker carrier; for DIN-rail 35 x 15 and 35 x 7.5; 2.5 mm<sup>2</sup>; Push-in CAGE CLAMP®

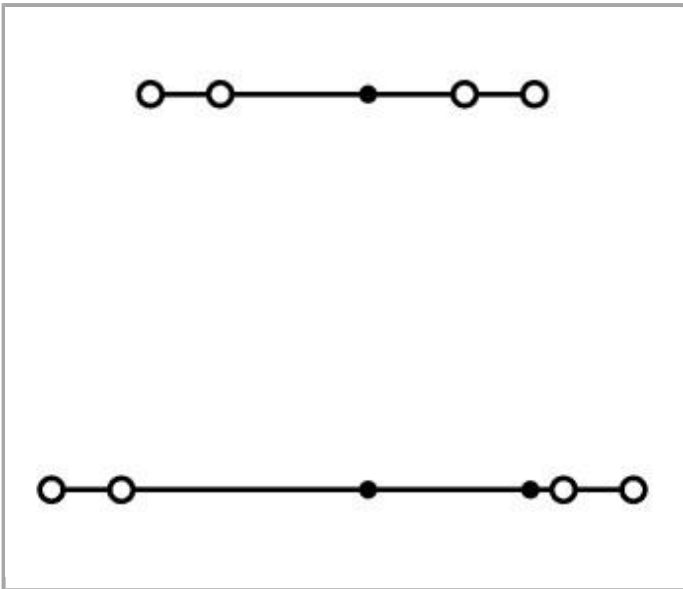
[www.wago.com/2002-2401](http://www.wago.com/2002-2401)



RoHS  Compliant

[BOMcheck.net](https://www.bomcheck.net)

Color: ■



Data

Electrical data

Ratings per IEC/EN 60664-1

Rated voltage (III / 3)	800 V
Rated impulse voltage (III / 3)	8 kV
Rated current	24 A

Rated current (2)	28 A
Legend (ratings)	(III / 3) $\hat{=}$ Overvoltage category III / Pollution degree 3

### Approvals per UL 1059

Rated voltage UL (Use Group B)	600 V
Rated current UL (Use Group B)	20 A
Rated voltage UL (Use Group C)	600 V
Rated current UL (Use Group C)	20 A

### Approvals per CSA

Rated voltage CSA (Use Group B)	600 V
Rated current CSA (Use Group B)	20 A
Rated voltage CSA (Use Group C)	600 V
Rated current CSA (Use Group C)	20 A

### Connection data

Connection technology	Push-in CAGE CLAMP <sup>®</sup>
Number of connection points (connection type)	4
Actuation type	Push-in Open Tool Slot
Connectable conductor materials	Copper
Nominal cross section	2.5 mm <sup>2</sup>
Solid conductor	0.25 ... 4 mm <sup>2</sup> / 22 ... 12 AWG
Solid conductor, push-in termination	0.75 ... 4 mm <sup>2</sup> / 18 ... 12 AWG
Fine-stranded conductor	0.25 ... 4 mm <sup>2</sup> / 22 ... 12 AWG
Fine-stranded conductor with ferrule, push-in termination, from	0.75 mm <sup>2</sup> / 18 AWG
Strip length	10 ... 12 mm / 0.39 ... 0.47 Inch
Number of connection points	4
Total number of connection points	8
Total number of potentials	2
Number of levels	2
Type of wiring	Front-entry wiring

### Geometrical Data

Width	5.2 mm / 0.205 inch
Height from upper-edge of DIN-35 rail	52.1 mm / 2.051 inch
Depth	105.1 mm / 4.138 inch

### Mechanical data

Design	horizontal
--------	------------


Type of mounting	DIN-35 rail
Potential marking	L/L
Marking level	Center/side marking

### Material Data






Color	gray
Insulating material	Polyamide 66 (PA 66)
Fire load	0.294 MJ
Weight	15.759 g

### Approvals / Certificates

#### Ex-Approvals

Logo	Approval	Certificate name
	IECEX Physikalisch Technische Bundesanstalt	IECEX PTB 03.0004U

#### Country specific Approvals

Logo	Approval	Certificate name
	CCA DEKRA Certification B.V.	NTR NL 7585
	CSA DEKRA Certification B.V.	1536069
	CSA DEKRA Certification B.V.	1536069
	KEMA/KEUR DEKRA Certification B.V.	2198985.01
	KEMA/KEUR DEKRA Certification B.V.	2198985.01

#### Ship Approvals

Logo	Approval	Certificate name
	ABS American Bureau of Shipping	14-HG1293677-PDA



**BV**

Bureau Veritas S.A.

38586/A0 BV



**DNV GL**

Det Norske Veritas, Germanischer Lloyd

TAE00001V2



**UL-Approvals**

Logo

Approval

Certificate name



**cURus**

Underwriters Laboratories Inc.

E45172



**UR**

DEKRA Certification B.V.

NTR NL 7704

Subject to changes.