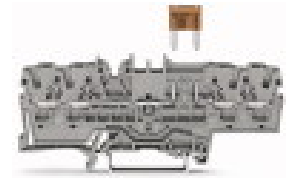




4-conductor fuse terminal block; with test option; for blade-style fuses to DIN 72581-3f, ISO 8820-3

Item No.: 2002-1881



Marking

RoHS ✓
Compliant

Business data

Supplier	WAGO
Item no.	2002-1881
GTIN / EAN	4045454974886
Content	1

Notes

Safety information 2: Blade-style fuses: Use protection against accidental contact for 42 V and higher!

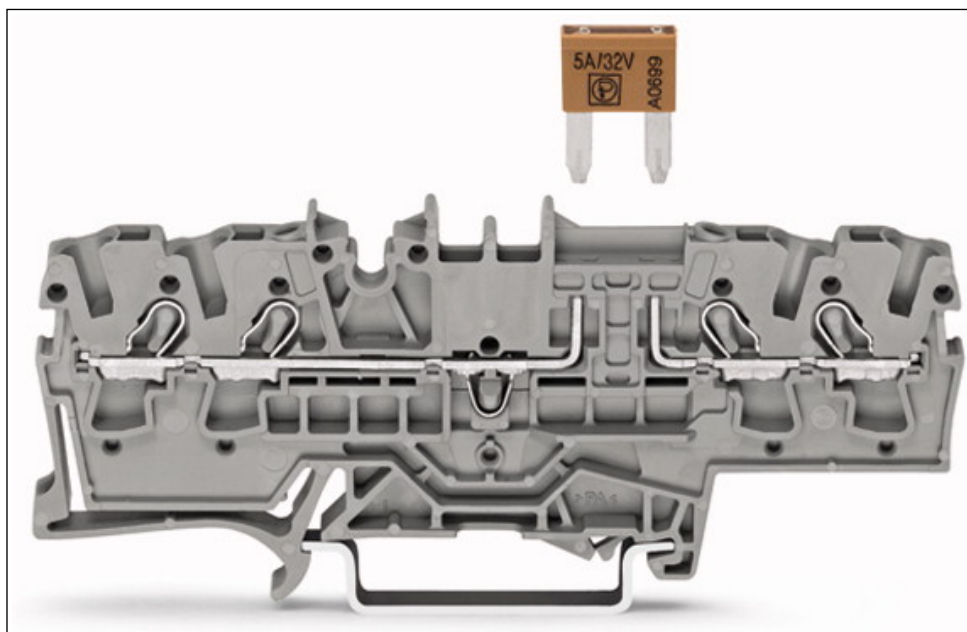
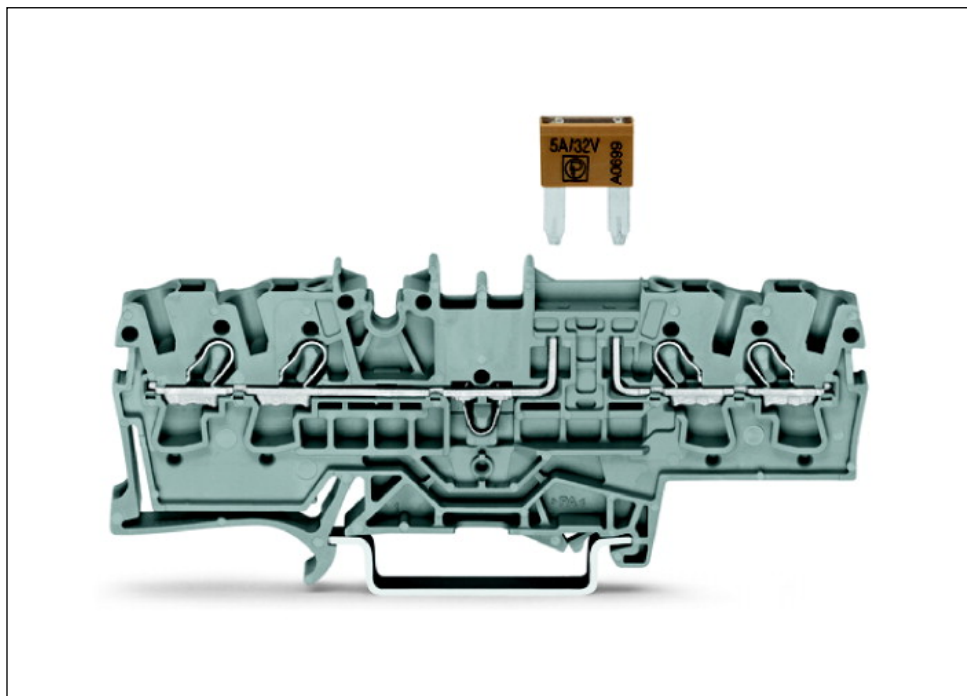
Technical data

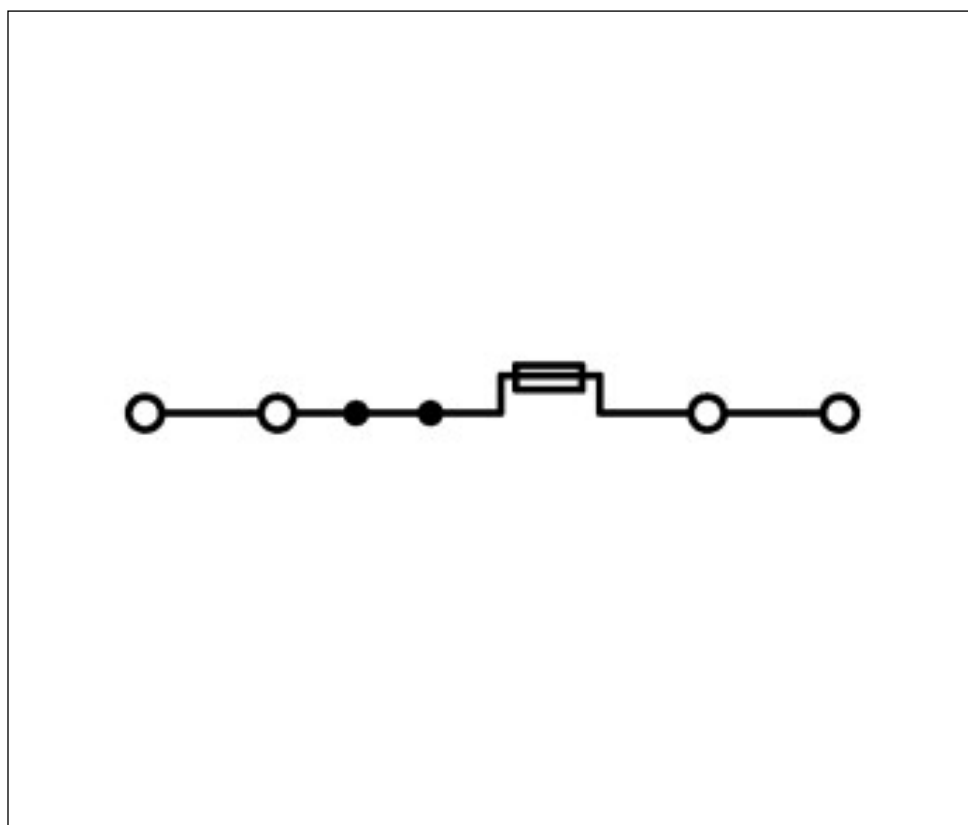
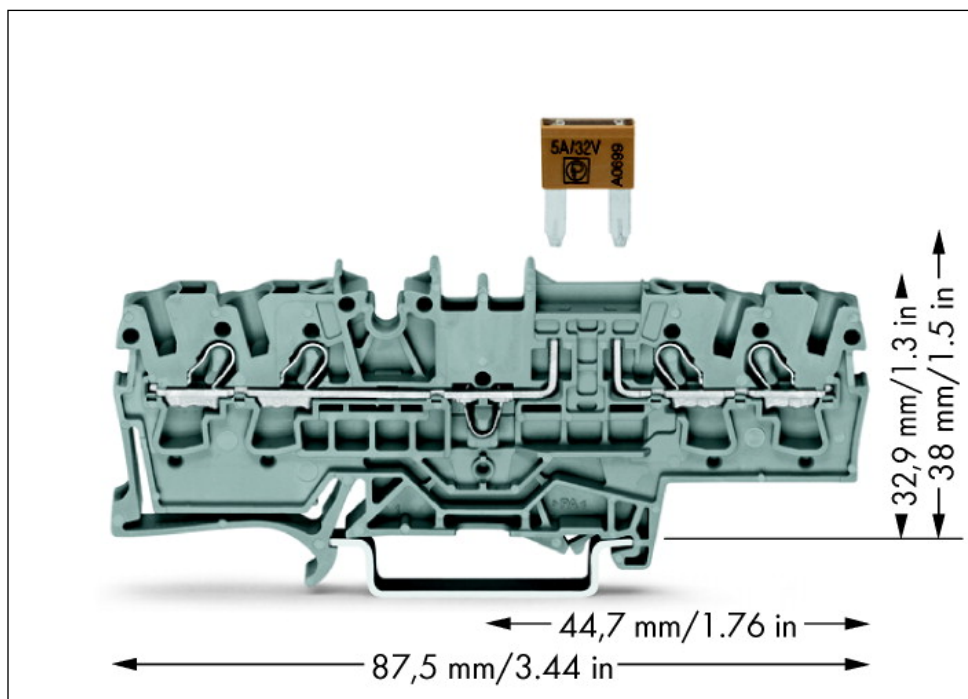
Miscellaneous

Safety information 1	Electrical ratings are given by the fuse.
Ratings per	IEC/EN 60947-7-3
Rated voltage (III / 3) [V]	400 [V]
Rated impulse voltage (III / 3) [kV]	6 [kV]

Technical data	
Rated current [A]	10 [A]
Legend (ratings)	(III / 3) Overtoltage category III / Pollution degree 3
Type of wiring	Front-entry wiring
Total number of connection points	4
Total number of potentials	2
Number of levels	1
Connection technology	Push-in CAGE CLAMP®
Actuation type	Push-in
Connectable conductor materials	Copper
Nominal cross section	2.5 mm ²
Solid conductor	0.25 ... 4 mm ² / 22 ... 12 AWG
Solid conductor, push-in termination	0.75 ... 4 mm ² / 18 ... 12 AWG
Fine-stranded conductor	0.25 ... 4 mm ² / 22 ... 12 AWG
Fine-stranded conductor with ferrule, push-in termination, f	0.75 mm ² / 18 AWG
Strip length	10 ... 12 mm / 0.39 ... 0.47 Inch
Width	5.2 mm / 0.205 Inch
Height from upper-edge of DIN-35 rail	32.9 mm / 1.295 Inch
Depth	87.5 mm / 3.445 Inch
Design	horizontal
Type of mounting	Carrier rail 35 x 15
Marking level	Center/side marking
Color	gray
Insulating material	Polyamide 66 (PA 66)
Fire load [MJ]	0.191 [MJ]
Weight [g]	9.303 [g]
Product Family	TOPJOB® S
Main product function	Fuse term. block
Product type	Function modules

Images & drawings





Address

WAGO Kontakttechnik GmbH & Co. KG

Hansastr. 27

32423 Minden

Telefon: 0571/887-0

Fax: 0571/887-169

<http://www.wago.com>

© WAGO Kontakttechnik GmbH & Co. KG

Technische Änderungen und Irrtümer vorbehalten.