



**Ground conductor disconnect terminal block; with test option;
orange disconnect link; 24 V**

Item No.: 2006-1671/1000-848



Marking

RoHS ✓
Compliant

Business data

Supplier	WAGO
Item no.	2006-1671/1000-848
GTIN / EAN	4045454789848
Content	1

Notes

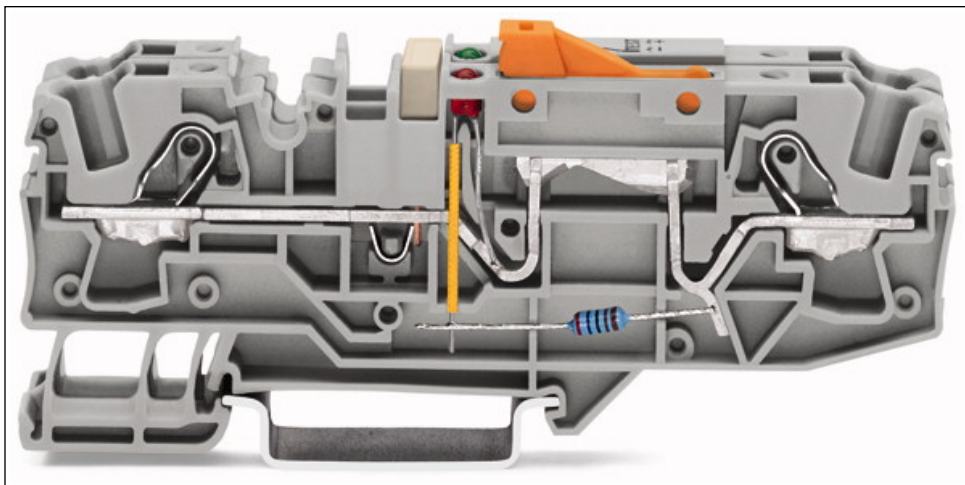
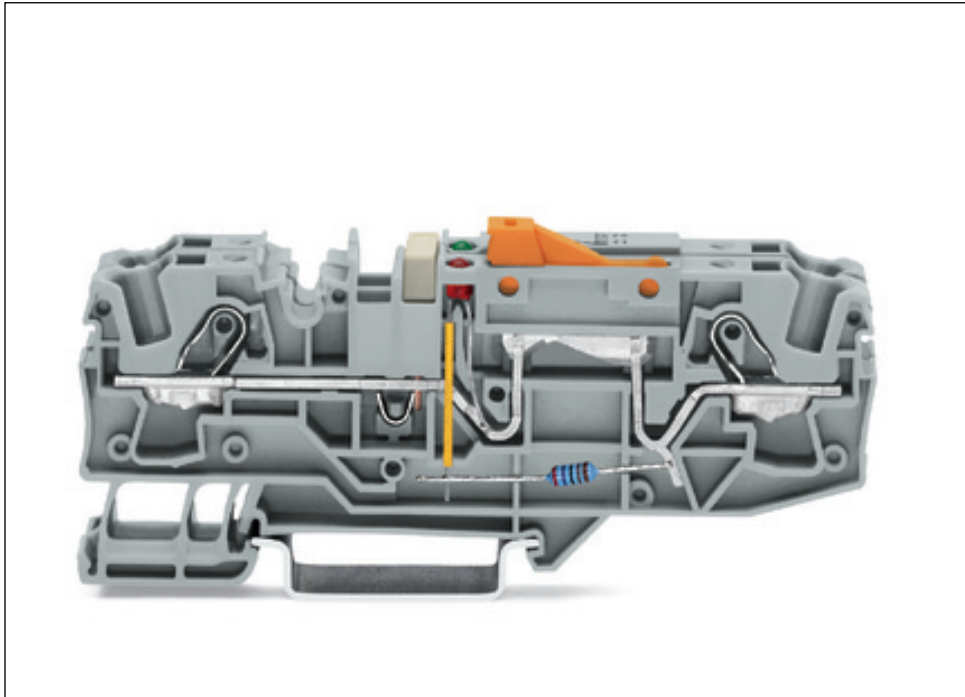
Technical data

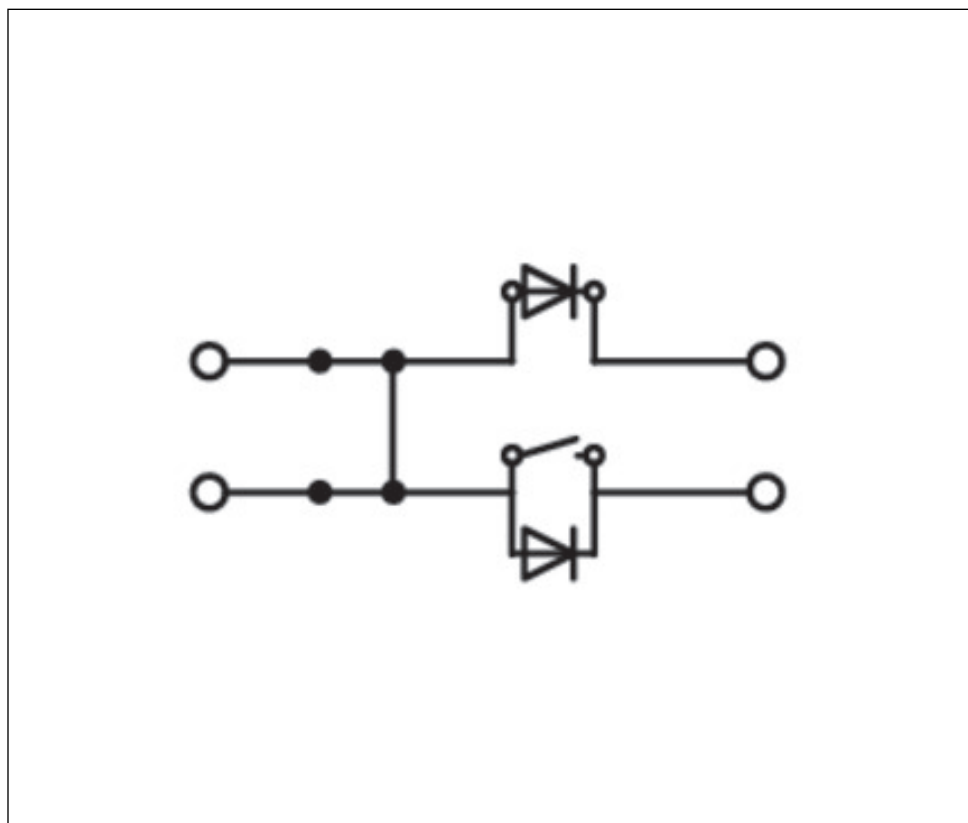
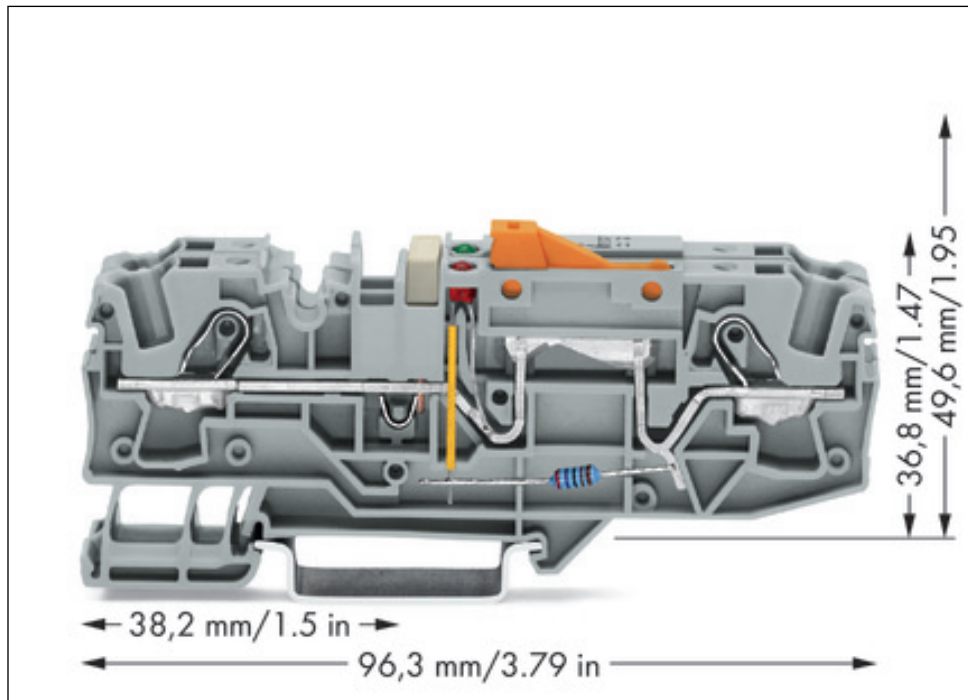
Miscellaneous

Rated voltage (III / 3) [V]	500 [V]
Rated impulse voltage (III / 3) [kV]	6 [kV]
Rated current [A]	30 [A]
Legend (ratings)	(III / 3) Overvoltage category III / Pollution degree 3
Type of wiring	Front-entry wiring

Technical data	
<i>Total number of connection points</i>	4
<i>Total number of potentials</i>	4
<i>Number of levels</i>	1
<i>Connection technology</i>	Push-in CAGE CLAMP®
<i>Actuation type</i>	Push-in
<i>Connectable conductor materials</i>	Copper
<i>Nominal cross section</i>	6 mm ²
<i>Solid conductor</i>	0.5 ... 10 mm ² / 20 ... 8 AWG
<i>Solid conductor, push-in termination</i>	1 ... 10 mm ² / 14 ... 8 AWG
<i>Fine-stranded conductor</i>	0.5 ... 10 mm ² / 20 ... 8 AWG
<i>Fine-stranded conductor with ferrule, push-in termination, f</i>	1.5 mm ² / 16 AWG
<i>Strip length</i>	13 ... 15 mm / 0.51 ... 0.59 Inch
<i>Width</i>	15 mm / 0.591 Inch
<i>Height from upper-edge of DIN-35 rail</i>	36.8 mm / 1.449 Inch
<i>Depth</i>	96.3 mm / 3.791 Inch
<i>Design</i>	horizontal
<i>Type of mounting</i>	Carrier rail 35 x 15
<i>Marking level</i>	Center/side marking
<i>Color</i>	gray
<i>Insulating material</i>	Polyamide 66 (PA 66)
<i>Weight [g]</i>	40.6 [g]
<i>Product Family</i>	TOPJOB® S
<i>Main product function</i>	Disconnect terminal block
<i>Product type</i>	Function modules

Images & drawings





Address

WAGO Kontakttechnik GmbH & Co. KG

Hansastr. 27

32423 Minden

Telefon: 0571/887-0

Fax: 0571/887-169

<http://www.wago.com>

© WAGO Kontakttechnik GmbH & Co. KG

Technische Änderungen und Irrtümer vorbehalten.