



**2-conductor fuse disconnect terminal block with pivoting fuse holder; for 5 x 20 mm miniature metric fuse; without blown fuse indication**

Item No.: 2006-1611



## Marking

RoHS ✓  
Compliant

## Business data

|            |               |
|------------|---------------|
| Supplier   | WAGO          |
| Item no.   | 2006-1611     |
| GTIN / EAN | 4045454821166 |
| Content    | 1             |
|            |               |
|            |               |

## Notes

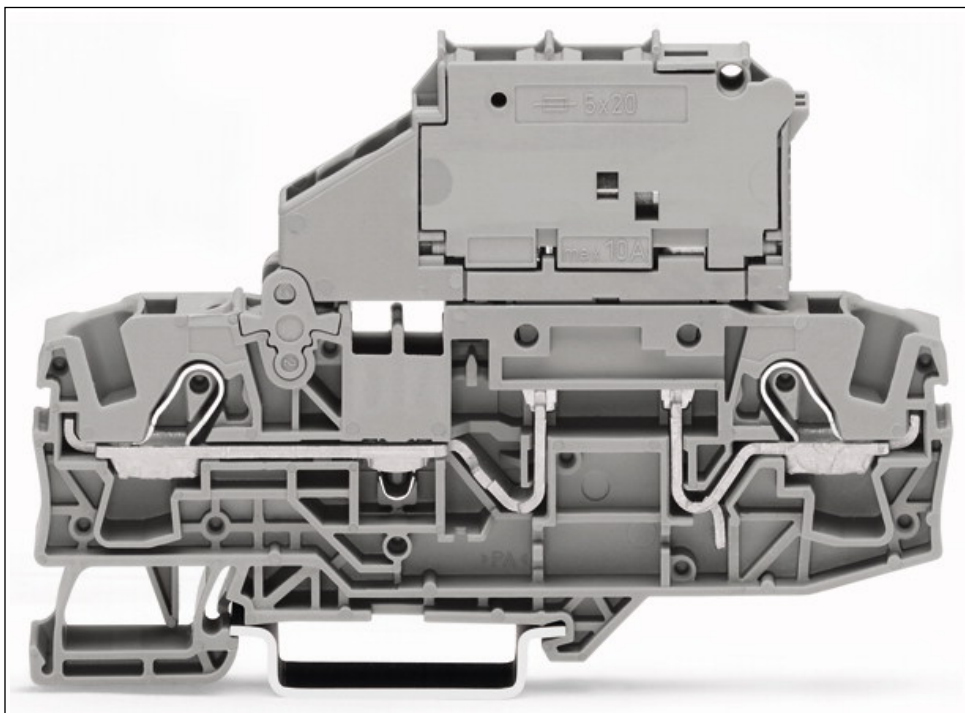
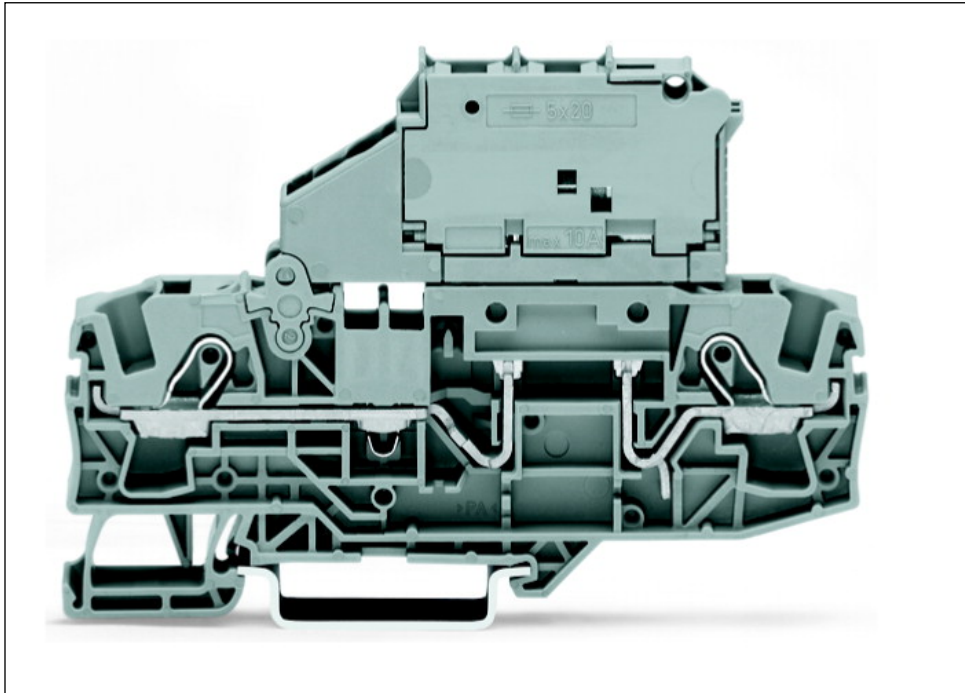
## Technical data

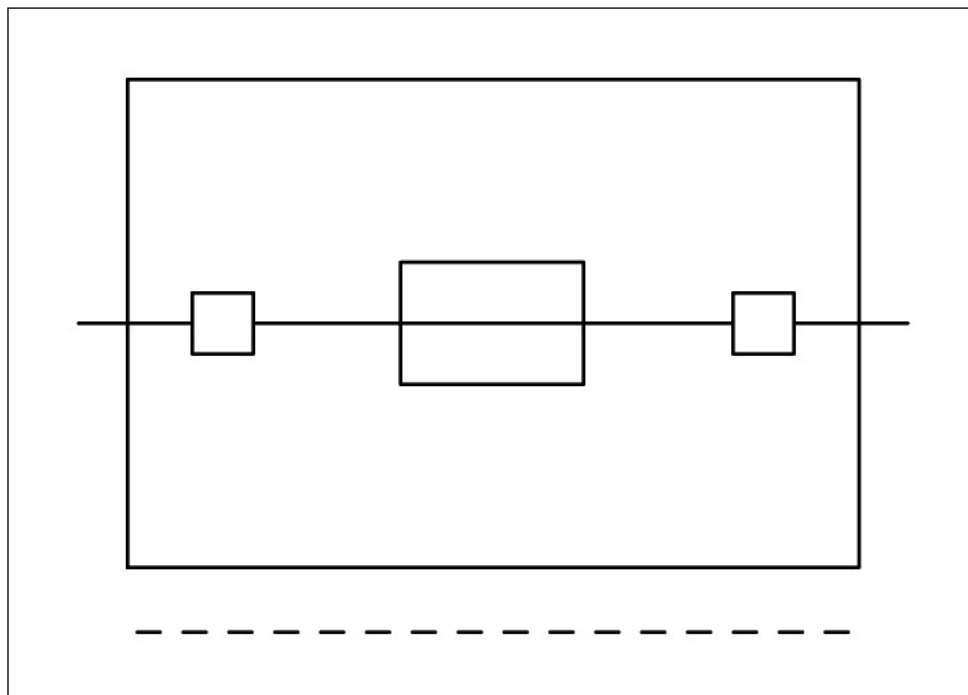
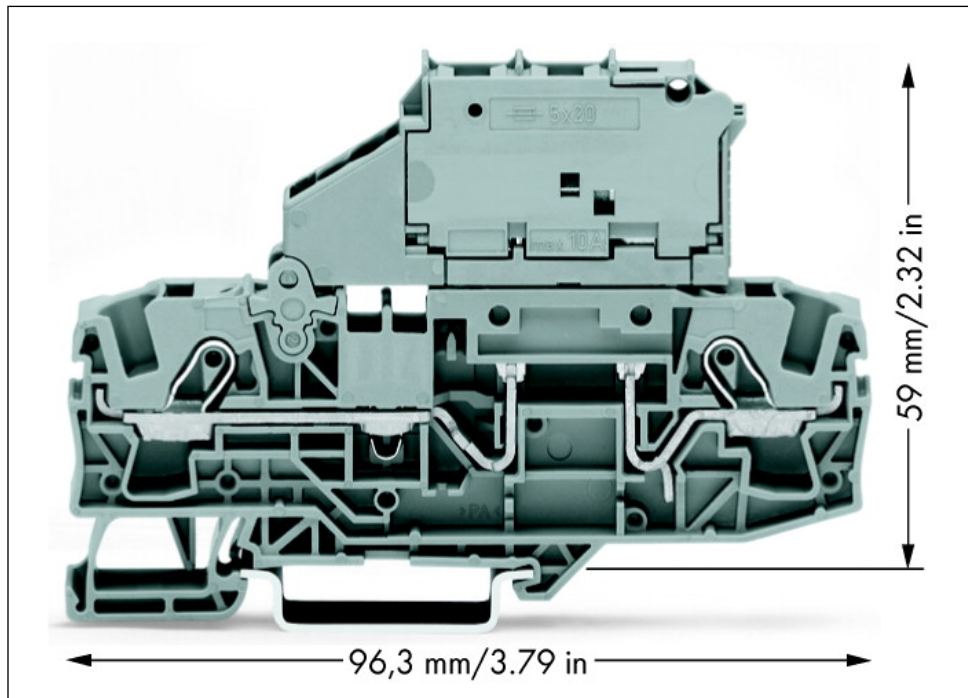
### Miscellaneous

|                                      |   |
|--------------------------------------|---|
| Safety information 1                 | Electrical ratings are given by the fuse. |
| Ratings per                          | IEC/EN 60947-7-3                          |
| Rated voltage (III / 3) [V]          | 800 [V]                                   |
| Rated impulse voltage (III / 3) [kV] | 8 [kV]                                    |

| <b>Technical data</b>   |  |
|---|--|
| <i>Rated current [A]</i>  | <i>10 [A]</i>  |
| <i>Legend (ratings)</i>   | <i>(III / 3) Overvoltage category III / Pollution degree 3</i> |
| <i>Type of wiring</i>   | <i>Front-entry wiring</i>                                      |
| <i>Total number of connection points</i>                            | <i>2</i>   |
| <i>Total number of potentials</i>                                   | <i>1</i>   |
| <i>Number of levels</i>   | <i>1</i>   |
| <i>Connection technology</i>  | <i>Push-in CAGE CLAMP®</i>                                     |
| <i>Actuation type</i>   | <i>Push-in</i>   |
| <i>Connectable conductor materials</i>                              | <i>Copper</i>  |
| <i>Nominal cross section</i>  | <i>6 mm<sup>2</sup></i>  |
| <i>Solid conductor</i>  | <i>0.5 ... 10 mm<sup>2</sup> / 20 ... 8 AWG</i>                |
| <i>Solid conductor, push-in termination</i>                         | <i>1 ... 10 mm<sup>2</sup> / 14 ... 8 AWG</i>                  |
| <i>Fine-stranded conductor</i>                                      | <i>0.5 ... 10 mm<sup>2</sup> / 20 ... 8 AWG</i>                |
| <i>Fine-stranded conductor with ferrule, push-in termination, f</i> | <i>1.5 mm<sup>2</sup> / 16 AWG</i>                             |
| <i>Strip length</i>   | <i>13 ... 15 mm / 0.51 ... 0.59 Inch</i>                       |
| <i>Width</i>  | <i>7.5 mm / 0.295 Inch</i>                                     |
| <i>Height from upper-edge of DIN-35 rail</i>                        | <i>59 mm / 2.323 Inch</i>                                      |
| <i>Depth</i>  | <i>96.3 mm / 3.791 Inch</i>                                    |
| <i>Design</i>   | <i>horizontal</i>  |
| <i>Type of mounting</i>   | <i>Carrier rail 35 x 15</i>                                    |
| <i>Marking level</i>  | <i>Center/side marking</i>                                     |
| <i>Color</i>  | <i>gray</i>  |
| <i>Insulating material</i>  | <i>Polyamide 66 (PA 66)</i>                                    |
| <i>Fire load [MJ]</i>   | <i>0.446 [MJ]</i>  |
| <i>Weight [g]</i>   | <i>24.95 [g]</i>   |
| <i>Product Family</i>   | <i>TOPJOB® S</i>   |
| <i>Main product function</i>  | <i>Fuse term. block</i>  |
| <i>Product type</i>   | <i>Function modules</i>  |

Images & drawings





**Address**

WAGO Kontakttechnik GmbH & Co. KG

Hansastr. 27

32423 Minden

Telefon: 0571/887-0

Fax: 0571/887-169

<http://www.wago.com>

© WAGO Kontakttechnik GmbH & Co. KG

Technische Änderungen und Irrtümer vorbehalten.