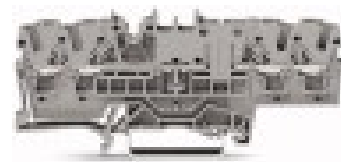




## 4-conductor carrier terminal block

Item No.: 2002-1861



4-conductor carrier terminal block

### Marking

RoHS ✓  
Compliant

### Business data

|                      |               |
|----------------------|---------------|
| Supplier             | WAGO          |
| Item no.             | 2002-1861     |
| GTIN / EAN           | 4045454974787 |
| Content              | 1             |
| Order amount         | 50            |
| Customer item number |               |

### Notes

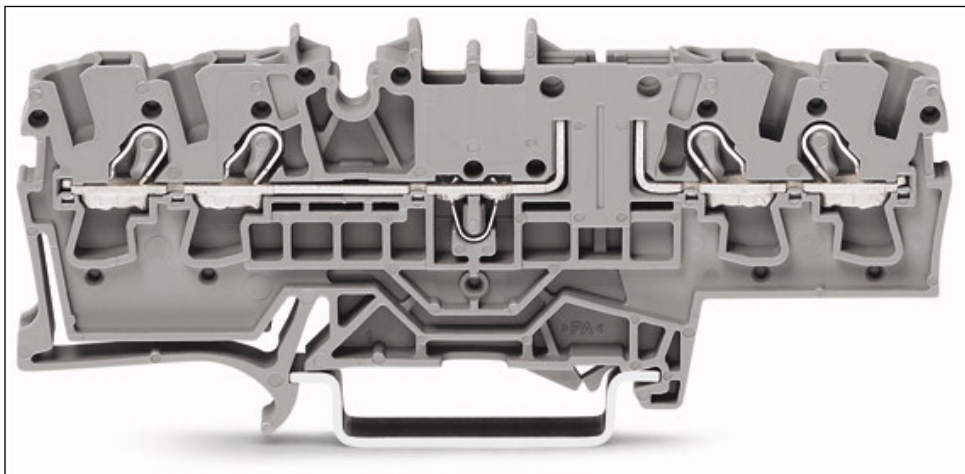
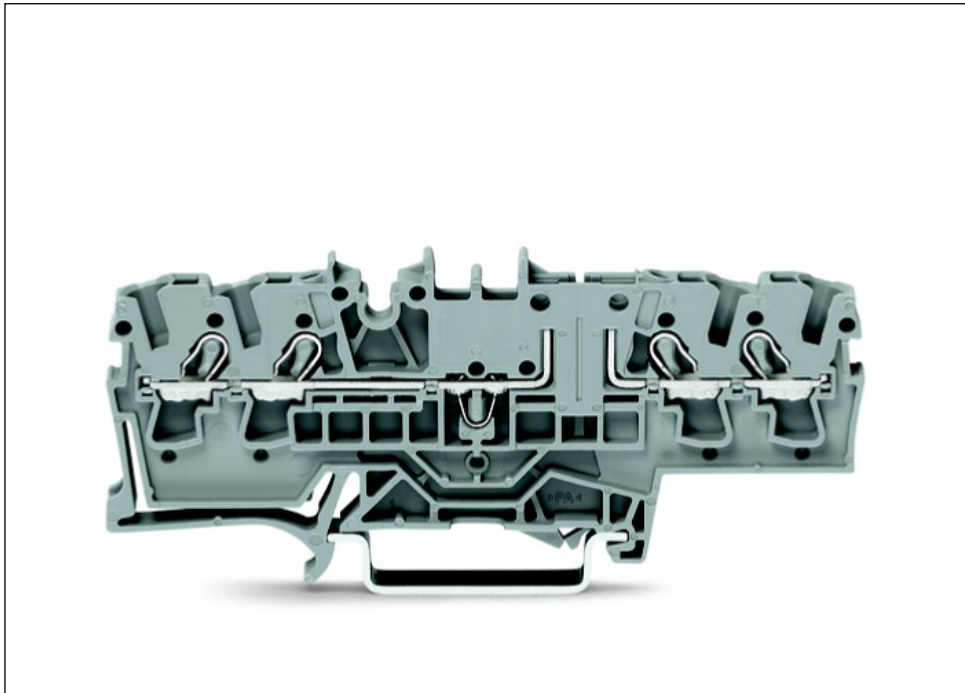
### Technical data

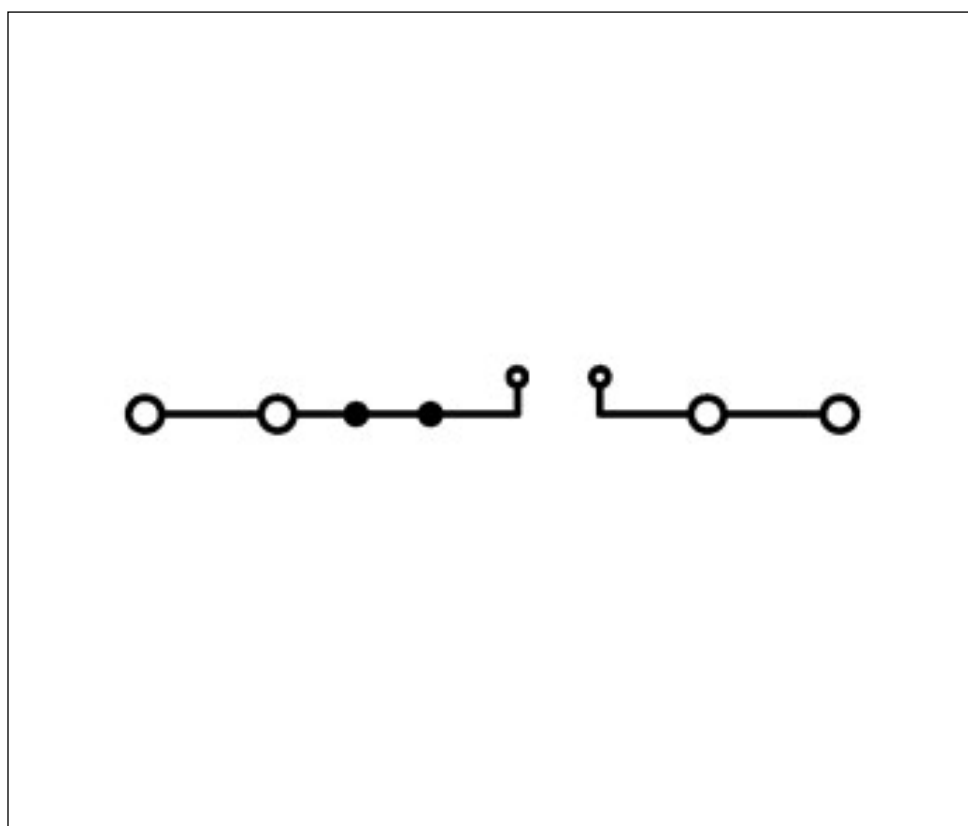
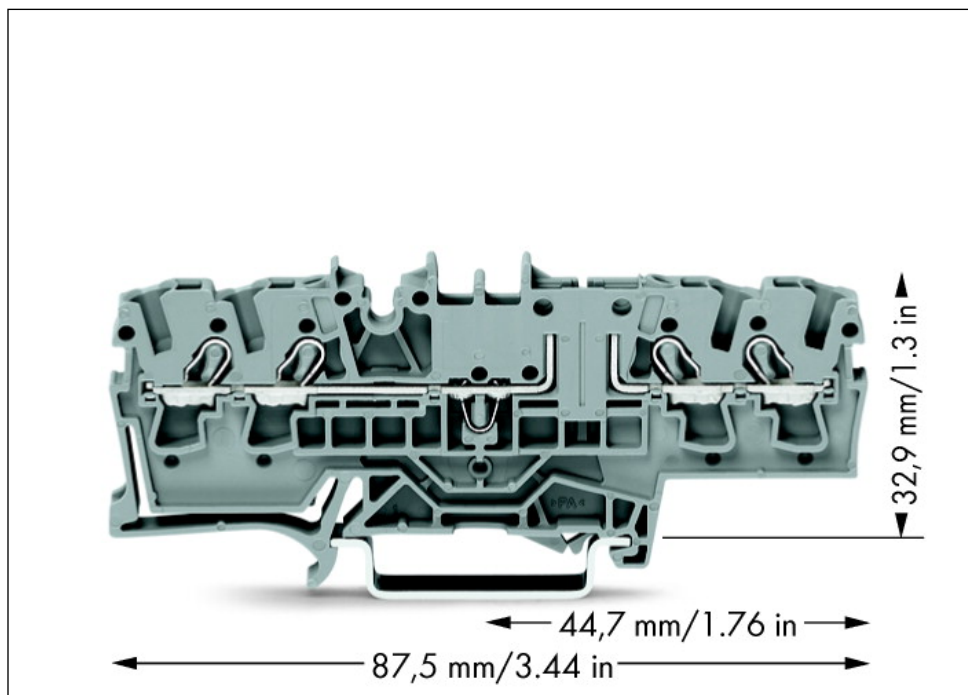
#### Miscellaneous

|                                      |   |
|--------------------------------------|---|
| Packaging type                       | BOX   |
| Ratings per                          | IEC/EN 60947-7-1  |
| Rated voltage (III / 3) [V]          | 400 [V]   |
| Rated impulse voltage (III / 3) [kV] | 6 [kV]  |
| Rated current [A]                    | 6.3 [A]   |
| Legend (ratings)                     | (III / 3) Overvoltage category III / Pollution degree 3 |

| <b>Technical data</b>  |  |
|--|--|
| Type of wiring   | Front-entry wiring                           |
| Total number of connection points                            | 4  |
| Total number of potentials                                   | 2  |
| Number of levels   | 1  |
| Connection technology  | Push-in CAGE CLAMP®                          |
| Actuation type   | Push-in                                      |
| Connectable conductor materials                              | Copper                                       |
| Nominal cross section  | 2.5 mm <sup>2</sup>                          |
| Solid conductor  | 0.25 ... 4 mm <sup>2</sup> / 22 ... 12 AWG   |
| Solid conductor, push-in termination                         | 0.75 ... 4 mm <sup>2</sup> / 18 ... 12 AWG   |
| Fine-stranded conductor                                      | 0.25 ... 4 mm <sup>2</sup> / 22 ... 12 AWG   |
| Fine-stranded conductor with ferrule, push-in termination, f | 0.75 mm <sup>2</sup> / 18 AWG                |
| Strip length   | 10 ... 12 mm / 0.39 ... 0.47 Inch            |
| Width  | 5.2 mm / 0.205 Inch                          |
| Height from upper-edge of DIN-35 rail                        | 32.9 mm / 1.295 Inch                         |
| Depth  | 87.5 mm / 3.445 Inch                         |
| Design   | horizontal                                   |
| Type of mounting   | Carrier rail 35 x 15                         |
| Marking level  | Center/side marking                          |
| Color  | gray   |
| Insulating material  | Polyamide 66 (PA 66)                         |
| Fire load [MJ]   | 0.192 [MJ]                                   |
| Weight [g]   | 9.333 [g]                                    |
| Product Family   | TOPJOB® S                                    |
| Main product function  | Carrier terminal block for modules and plugs |
| Product type   | Function modules                             |

Images & drawings





**Address**

WAGO Kontakttechnik GmbH & Co. KG

Hansastr. 27

32423 Minden

Telefon: 0571/887-0

Fax: 0571/887-169

<http://www.wago.com>

© WAGO Kontakttechnik GmbH & Co. KG

Technische Änderungen und Irrtümer vorbehalten.