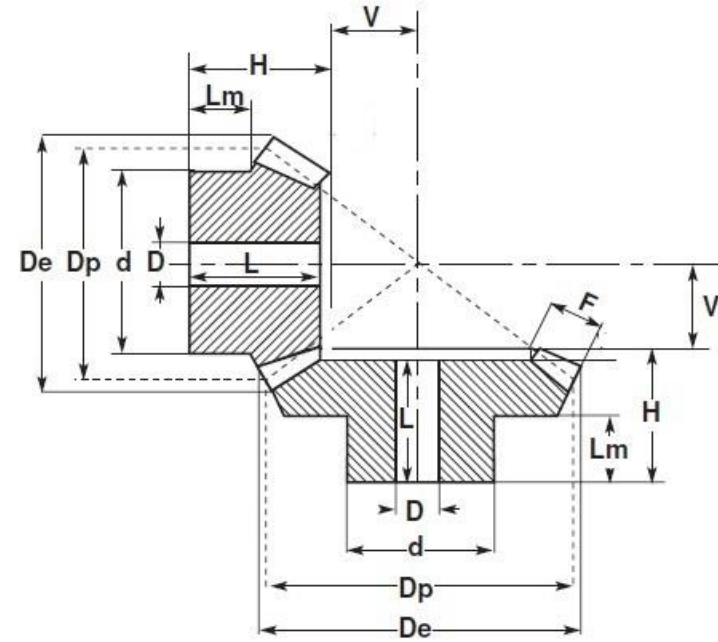


## Reely Brass Bevel Gear Set 3:1



Part Number	Teeth	Ratio	D	d	Dp	De	Lm	L	H	F	V	Grub Screw	Req. Allen Key
237280	15	3:1	3	6	7.2	8.8	3.76	5	8	4.2	7	M2	0.9
	45		4	12	22	22.8	5	8	9	4.2	3	M3	1.5

**Please note:** All measurements are approximate and in mm