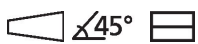


Product information

31 21 160

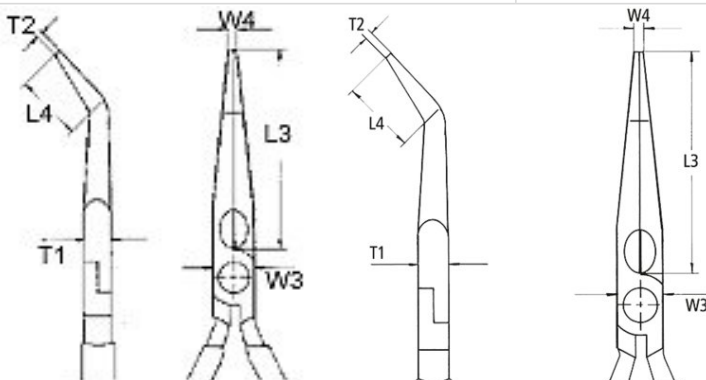
Flat Nose Pliers (Needle-Nose Pliers)

- Precision pliers for very exact assembly, bending and adjusting work
- With extra long jaws: length of jaws 55.0 mm
- Smooth ground gripping surfaces
- Edges carefully deburred
- 45° bent jaws
- Chrome vanadium electric steel, forged, oil-hardened



General	
Article No.	31 21 160
EAN	4003773046790
Pliers	black atramentized
Head	polished
Handles	plastic coated
weight	97 g
Dimensions	160 x 55 x 15 mm
Reach	no
RohS	no

Technical details	
Style	2
	7.5 mm
Tips width (W4)	1.8 mm
Tips thickness (T2)	2.5 mm
Gripping surface length (L4)	27.0 mm
	55.0 mm
Head width (W3)	16.0 mm
Head angle	45





Classification	
eCl@ss 5.1.4	21040301
ETIM 5.0	EC000833
ETIM 6.0	EC000833
proficl@ss 6.0	AAA004c004
UNSPSC 13.1	27112126

technical change and errors excepted