

Product information

35 82 145

Electronics Pliers

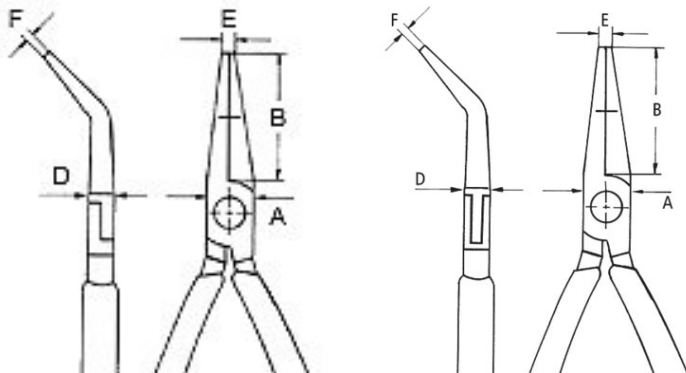
DIN ISO 9655



- Precision pliers for fine assembly work, e.g. in electronics and fine mechanics
- For gripping, holding and bending
- Sturdy, zero backlash box joint
- Smooth ground gripping surfaces
- Edges carefully deburred
- Low-friction double spring for gentle and even opening
- The polish or mirror polish together with a fine film of oil offer effective rust protection - no circuit faults caused by peeling chrome from plated tools
- 45° bent, half-round, long jaws
- Ball bearing chrome steel, oil hardened



General	
Article No.	35 82 145
EAN	4003773039396
Head	mirror polished
Handles	with multi-component grips
weight	102 g
Dimensions	145 x 59 x 19 mm
Standard	DIN ISO 9655
Reach	no
RohS	no
Technical details	
Style	8
	35.0 mm
	7.5 mm
Tips width (E)	2.5 mm
Tips thickness (F)	1.0 mm
Head width (A)	12.0 mm
Dimensions angle	45





Classification	
eCl@ss 5.1.4	21040301
proficl@ss 6.0	EAA840c015
UNSPSC 13.1	27112104

technical change and errors excepted