

## Product information

# 35 32 115

## Electronics Pliers

DIN ISO 9655

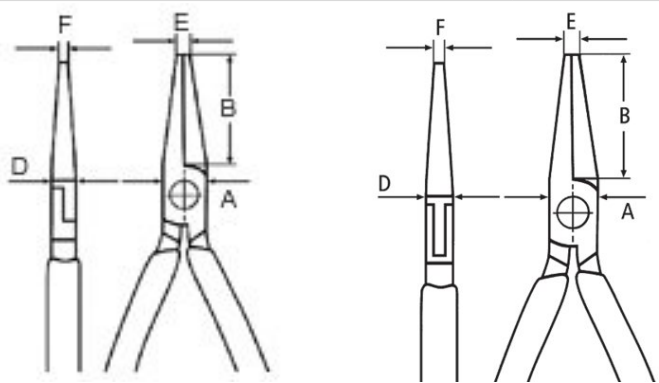


- Precision pliers for fine assembly work, e.g. in electronics and fine mechanics
- For gripping, holding and bending
- Sturdy, zero backlash box joint
- Smooth ground gripping surfaces
- Edges carefully deburred
- Low-friction double spring for gentle and even opening
- The polish or mirror polish together with a fine film of oil offer effective rust protection - no circuit faults caused by peeling chrome from plated tools
- Round, pointed jaws
- Ball bearing chrome steel, oil hardened



General	
Article No.	35 32 115
EAN	4003773035121
Head	mirror polished
Handles	with multi-component grips
weight	70 g
Dimensions	115 x 70 x 17 mm
Standard	DIN ISO 9655
Reach	no
RohS	no

Technical details	
Style	3
	22.5 mm
	6.5 mm
Tips width (E)	2.0 mm
Tips thickness (F)	1.0 mm
Head width (A)	11.0 mm



**Classification**

eCl@ss 5.1.4	21040301
proficl@ss 6.0	EAA840c015
UNSPSC 13.1	27112149

*technical change and errors excepted*

