

Product information

25 21 160

Snipe Nose Side Cutting Pliers (Radio Pliers)

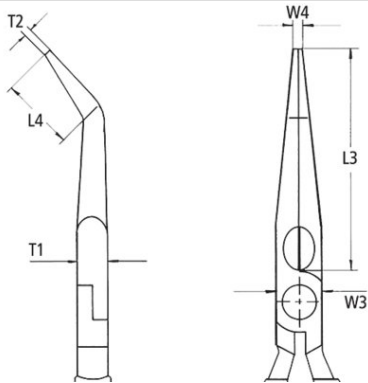
DIN ISO 5745

- Suitable for finer gripping and cutting work
- Half-round, long, tapered jaws
- Knurled gripping surfaces
- With cutting edges for soft, medium-hard and hard wire
- Cutting edges additionally induction-hardened, cutting edge hardness approx. 61 HRC
- 40° angled jaws
- Vanadium electric steel, forged, multi stage oil-hardened



General	
Article No.	25 21 160
EAN	4003773050476
Pliers	black atramentized
Head	polished
Handles	plastic coated
weight	116 g
Dimensions	160 x 50 x 20 mm
Standard	DIN ISO 5745
Reach	no
RohS	no
Technical details	
Style	2
	Ø 2.5 mm
Cutting capacities hard wire (diameter)	Ø 1.6 mm
	9.0 mm
Tips width (W4)	3.0 mm
Tips thickness (T2)	2.5 mm
	50.0 mm
Head width (W3)	16.5 mm
Head angle (L4)	40

Technical details



Classification

eCl@ss 5.1.4	21040301
profiCl@ss 6.0	AAA004c004
UNSPSC 13.1	27112134

technical change and errors excepted

