

Power LED Modules

6x 1W White and Warm White

Description:

- Green light source, fast response
- Long life
- Easy installation

Features:

- Available in white and warm white
- Super Bright
- Big Emitting Angle
- Superior ESD Protection
- Superior UV Resistance
- Can be equipped with lens: OS-OLSH6620P

Applications

- Small space lighting
- Mechanical equipment lights



Device selection guide

Order code	MPN	Colour	Wavelength (Typ.)		Condition	Overall Luminous Flux (Typ)
55-2608	MPN: OS-PR6XW5-W4XZE1E1E	White	X=0.31,Y=0.33	6500K	If=700mA	600 lm
55-2610	MPN: OS-PR6XM5-M5XZE1E1E	Warm White	X=0.45.Y=0.41	3000K	If=700mA	540 lm

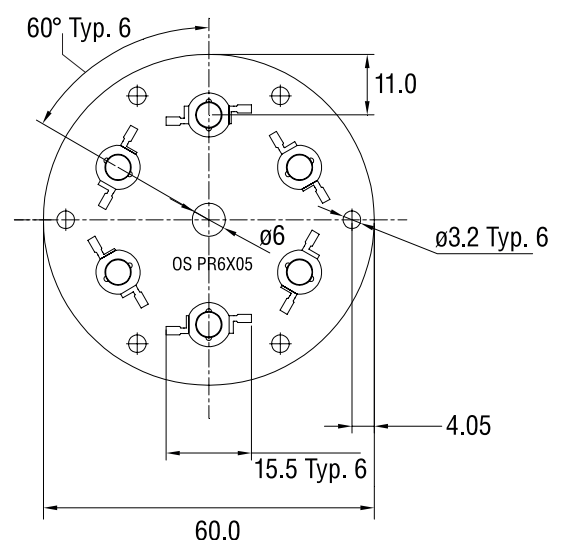
Absolute maximum rating (Ta=25°C)

Item	Symbol	Value	Unit
Operating supply range (DC)	V _{idc}	12	V
Input Current (DC)	I _i	800	mA
Power dissipation	P _a	9.6	W
Operating temperature	T _{opr}	-10~+40	°C
Storage Temperature	T _{stg}	-20~+80	°C

Electrical - Optical characteristics (Ta=25°C)

Item	Symbol	Min.	Typ.	Max.	Unit
LED Module Power	P _m	-	7	9.7	W
Input Voltage(DC)	V _i (B, W, G)	-	10	12	V
Product Input Current	I _f	-	700	800	mA
Beam Pattern	BP	-	120	-	Deg.
PCB Diameter	L _{mod.}	-	60	-	mm
Net Weight	Wei.	---	15.5	---	g

Outline dimensions:



Unit: mm
Tolerance: ±0.3mm