

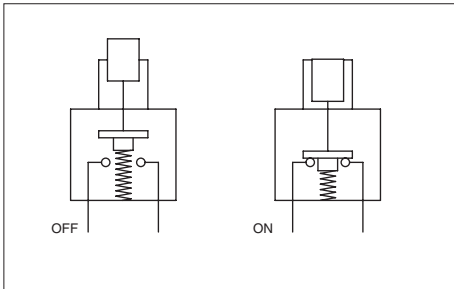


# AV series

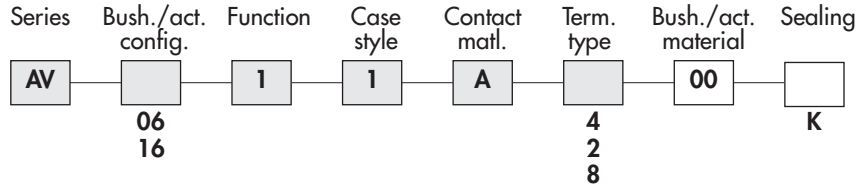
**New!**

Security pushbutton switches

Bushing Ø 16 (.629) - latching action



### ORDER FORMAT



See "options" page.

### SPECIFICATIONS

- Max. current/voltage rating with resistive load : 1,5A 250VAC - 1A 24VDC
- Initial contact resistance : 50mΩ max.
- Insulation resistance : 1 GΩ min. at 500VDC
- Dielectric strength : 1.500 Vrms 50 Hz min. between terminals  
1 000 Vrms 50 Hz between terminals and frame
- Electrical life : 100.000 cycles at 1,5A 250VAC  
40.000 cycles at 1A 24VDC
- Torque : 5 Nm min. - 14 Nm max. applied to nut
- Panel thickness : 1 (.039) to 6 mm (.236) max.
- Operating temperature : -30°C to +70°C
- Mechanical life : 200.000 cycles
- Packaging unit : 25 pieces

### MATERIALS

- Case : PA-6T, UL94-V0
- Contacts : silver (A)  
*Gold plated silver (AD) on request.*
- Bushing and actuator : nickel plated brass (std)

### CUT-OUT

- Panel cut-out : Ø 16,2 (.637)
- Min. pitch for matrix mounting :  
24 mm x 24 mm (.944 x .944)

All model numbers below are for switches with standard bushing/actuator material, without marking.

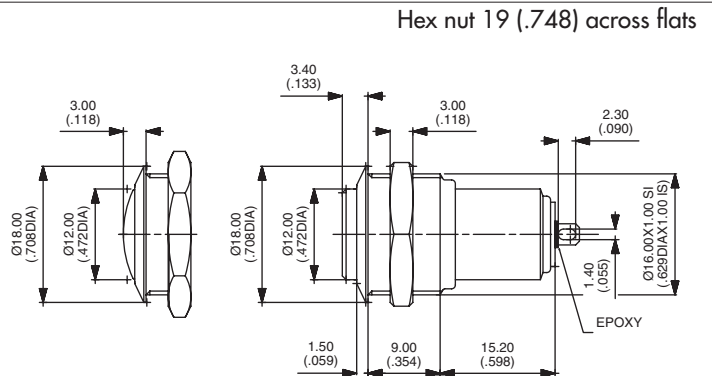
### BASIC MODEL

#### Solder lug terminals - AV..11A200



Flat actuator  
**AV0611A200**    OFF - ON

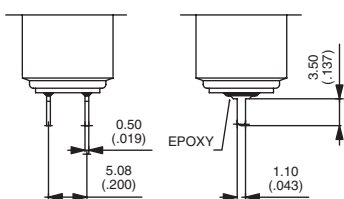
Curved actuator  
**AV1611A200**    OFF - ON



Hex nut 19 (.748) across flats

### OTHER CONFIGURATIONS

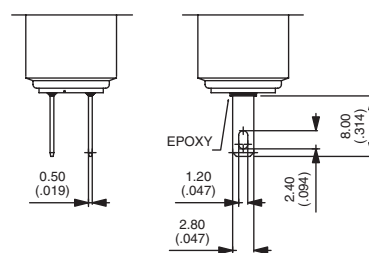
#### Straight PC terminals



Flat actuator  
**AV0611A400**

Curved actuator  
**AV1611A400**

#### Quick-connect terminals



Flat actuator  
**AV0611A800**

Curved actuator  
**AV1611A800**