

# RJ45 connector - VS-08-RJ45-10G/Q - 1419001

Please be informed that the data shown in this PDF Document is generated from our Online Catalog. Please find the complete data in the user's documentation. Our General Terms of Use for Downloads are valid (<http://phoenixcontact.com/download>)




RJ45 connector, IP20, CAT6<sub>A</sub>, 8-pos., with QUICKON fast connection technology, for 26 ... 24 AWG 1-wire and 7-wire conductors, color: black

## Your advantages

- assembly without special tools
- UL
- Solid and stranded wires (1- and 7-wire)



## Key Commercial Data

Packing unit	1 pc
GTIN	 4 046356 521567
GTIN	4046356521567
Weight per Piece (excluding packing)	12.000 g
Custom tariff number	85366990
Country of origin	Germany

## Technical data

### Mechanical characteristics

Number of positions	8
Connection profile	RJ45
Shielded	yes
Insertion/withdrawal cycles	≥ 750
Connection method	IDC fast connection
Conductor cross section	0.13 mm <sup>2</sup> ... 0.21 mm <sup>2</sup> (solid) 0.14 mm <sup>2</sup> ... 0.23 mm <sup>2</sup> (7-wire)
Connection cross section AWG	26 ... 24 (solid) 26 ... 24 (7-wire)

# RJ45 connector - VS-08-RJ45-10G/Q - 1419001

## Technical data

### Mechanical characteristics

Max. cable diameter	4.5 mm ... 8 mm
External cable diameter	4.5 mm ... 8 mm
Cable outlet	straight
Color	yellow
Degree of protection	IP20
Type	RJ45, IP20
No. of cable outlets	1

### Ambient conditions

Ambient temperature (operation)	-40 °C ... 70 °C
---------------------------------	------------------

### Material data

Flammability rating according to UL 94	V2
Housing material	PA 6.6
Contact carrier material	PC
Contact material	Cu/Sn
Height	17 mm

### Electrical characteristics

Number of positions	8
Nominal voltage $U_N$	50 V
Nominal current $I_N$	1.75 A
Transmission speed	10 Gbps
Transmission characteristics (category)	CAT6 <sub>A</sub> (IEC 60512-27-100:2008, TIA-568-C.2:2009)
GRP transmission properties	CAT6 <sub>A</sub> (IEC 60512-27-100:2008, TIA-568-C.2:2009) CAT6 <sub>A</sub> (IEC 60512-27-100:2008, TIA-568-C.2:2009)
Transmission speed	1 Gbps
Frequency range	to 500 MHz
Rated current	1.75 A
Overvoltage category	I
Degree of pollution	2
Contact resistance	0.001 Ω (Wire – IDC) 0.005 Ω (Litz wires – IDC)
Rated voltage (III/3)	72 V (DC)

### Standards and Regulations

Flammability rating according to UL 94	V2
--	----

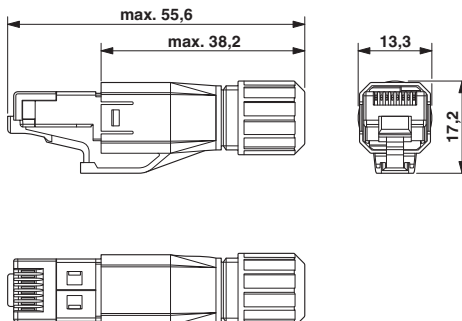
### Environmental Product Compliance

REACH SVHC	DOTe 15571-58-1
China RoHS	Environmentally friendly use period: unlimited = EFUP-e
	No hazardous substances above threshold values

## Drawings

# RJ45 connector - VS-08-RJ45-10G/Q - 1419001

Dimensional drawing



RJ45 connector, IP20

## Classifications

eCl@ss

eCl@ss 4.0	27140816
eCl@ss 4.1	27260701
eCl@ss 5.0	27260701
eCl@ss 5.1	27260700
eCl@ss 6.0	27260700
eCl@ss 7.0	27440101
eCl@ss 8.0	27440101
eCl@ss 9.0	27440101

ETIM

ETIM 2.0	EC000764
ETIM 3.0	EC001121
ETIM 4.0	EC002641
ETIM 5.0	EC002636
ETIM 6.0	EC002636

UNSPSC

UNSPSC 6.01	30211824
UNSPSC 7.0901	31261501
UNSPSC 11	31261501
UNSPSC 12.01	31261501
UNSPSC 13.2	39121409

## Approvals

Approvals

# RJ45 connector - VS-08-RJ45-10G/Q - 1419001

## Approvals

Approvals

UL Listed / cUL Listed / EAC / cULus Listed

Ex Approvals

### Approval details

UL Listed		<a href="http://database.ul.com/cgi-bin/XYV/template/LISEXT/1FRAME/index.htm">http://database.ul.com/cgi-bin/XYV/template/LISEXT/1FRAME/index.htm</a> E335024-20150529
Nominal voltage UN		57 V
Nominal current IN		1.75 A

cUL Listed		<a href="http://database.ul.com/cgi-bin/XYV/template/LISEXT/1FRAME/index.htm">http://database.ul.com/cgi-bin/XYV/template/LISEXT/1FRAME/index.htm</a> E335024-20150529
Nominal voltage UN		57 V
Nominal current IN		1.75 A

EAC		B.01742
-----	--	---------

cULus Listed	
--------------	--