

D-SUB bus connector - SUBCON 9/M-SH - 2761509

Please be informed that the data shown in this PDF Document is generated from our Online Catalog. Please find the complete data in the user's documentation. Our General Terms of Use for Downloads are valid (<http://phoenixcontact.com/download>)



D-SUB connector, 9-pos., male connector, one cable entry < 35°, universal type for all systems, pin assignment: 1, 2, 3, 4, 5, 6, 7, 8, 9 to screw connection terminal block


Your advantages

- ✓ Easy assembly thanks to knurled screws
- ✓ For universal use
- ✓ Flexibility in terms of cable entry selection
- ✓ Assembly under field conditions
- ✓ High level of EMC
- ✓ Change to the D-SUB orientation through a reversible connection block



RS-485  Modbus RS-232 RS-422

Key Commercial Data

Packing unit	1 pc
GTIN	 4 017918 064747
GTIN	4017918064747
Weight per Piece (excluding packing)	45.050 g
Custom tariff number	85366990
Country of origin	Germany

Technical data

Dimensions

Max. cable diameter	10 mm
Min. cable diameter	4 mm
Width	16 mm
Height	55 mm
Length	56.5 mm

Ambient conditions

Ambient temperature (operation)	-20 °C ... 75 °C
---------------------------------	------------------

D-SUB bus connector - SUBCON 9/M-SH - 2761509

Technical data

Ambient conditions

Ambient temperature (storage/transport)	-25 °C ... 80 °C
Altitude	5000 m (For restrictions see manufacturer's declaration)
Degree of protection	IP20
	IP20

General

Nominal voltage U_N	50 V
Nominal current I_N	100 mA
Signal	Modbus
	RS-232
	RS-422
	RS-485
Insertion/withdrawal cycles	> 200
SUBCON fixing screws	4-40 UNC
Tightening torque	0.4 Nm
Housing material	ABS, metal-plated
Pin assignment	All connections are 1:1 on the screw terminal block
MTTF	6706 Years (SN 29500 standard, temperature 25 °C, operating cycle 21 % (5 days a week, 8 hours a day))
	1817 Years (SN 29500 standard, temperature 40 °C, operating cycle 34.25 % (5 days a week, 12 hours a day))
	155 Years (SN 29500 standard, temperature 40 °C, operating cycle 100 % (7 days a week, 24 hours a day))

Connection data

Connection	D-SUB connection
Number of positions	9
Connection method	D-SUB connector
Connection	PCB connection
Connection method	Screw connection
Conductor cross section flexible min.	0.14 mm ²
Conductor cross section flexible max.	1 mm ²
Conductor cross section solid min.	0.14 mm ²
Conductor cross section solid max.	1.5 mm ²
Min. AWG conductor cross section, flexible	26
Max. AWG conductor cross section, flexible	18
Conductor cross section AWG min.	26
Conductor cross section AWG max.	16
Stripping length	5 mm
Tightening torque	0.4 Nm

Standards and Regulations

Free from substances that could impair the application of coating	according to P-VW 3.10.7 57 65 0 VW-AUDI-Seat central standard
---	--

D-SUB bus connector - SUBCON 9/M-SH - 2761509

Technical data

Standards and Regulations

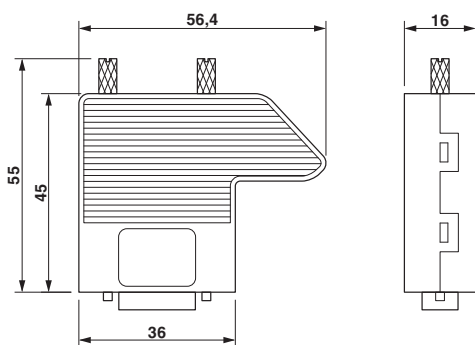
Connection in acc. with standard	CUL
ATEX	# II 3 G Ex nA IIC T4 Gc X
Noxious gas test	ISA-S71.04-1985 G3 Harsh Group A

Environmental Product Compliance

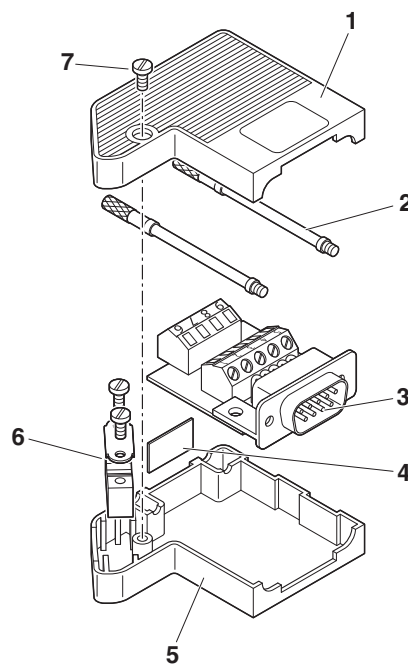
REACH SVHC	Lead 7439-92-1
China RoHS	Environmentally Friendly Use Period = 50
	For details about hazardous substances go to tab "Downloads", Category "Manufacturer's declaration"

Drawings

Dimensional drawing



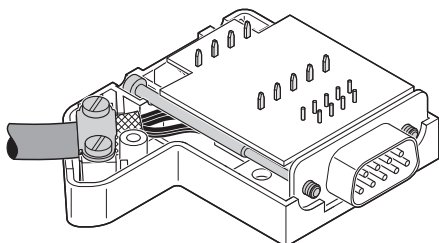
Schematic diagram



Function elements

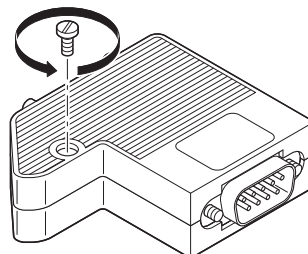
D-SUB bus connector - SUBCON 9/M-SH - 2761509

Schematic diagram



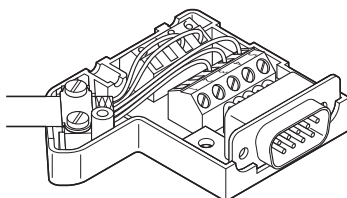
Right-hand side cable entry

Schematic diagram



Opening the housing

Schematic diagram



Left-hand side cable entry

Classifications

eCl@ss

eCl@ss 4.0	27140816
eCl@ss 4.1	27140816
eCl@ss 5.0	27143424
eCl@ss 5.1	27143400
eCl@ss 6.0	27143400
eCl@ss 7.0	27440302
eCl@ss 8.0	27440302
eCl@ss 9.0	27440302

ETIM

ETIM 2.0	EC001132
ETIM 3.0	EC001132
ETIM 4.0	EC001132
ETIM 5.0	EC001132
ETIM 6.0	EC001132

UNSPSC

UNSPSC 6.01	30211802
UNSPSC 7.0901	39121402
UNSPSC 11	39121402

D-SUB bus connector - SUBCON 9/M-SH - 2761509

Classifications

UNSPSC

UNSPSC 12.01	39121402
UNSPSC 13.2	39121522

Approvals

Approvals

Approvals

CSA / UL Recognized / cUL Recognized / EAC / cULus Recognized

Ex Approvals

ATEX

Approval details

CSA		http://www.csagroup.org/services-industries/product-listing/	2437602
-----	--	---	---------

UL Recognized		http://database.ul.com/cgi-bin/XYV/template/LISEXT/1FRAME/index.htm	FILE E 238705
---------------	--	---	---------------

cUL Recognized		http://database.ul.com/cgi-bin/XYV/template/LISEXT/1FRAME/index.htm	FILE E 238705
----------------	--	---	---------------

EAC			EAC-Zulassung
-----	--	--	---------------

cULus Recognized			
------------------	--	--	--