

Control- and safety isolating- resp. isolating transformer ST 63/4/42



Advantages

Very good switch-on behaviour thanks to reduced starting currents
High performance for the volume thanks to compact design
Primary side $\pm 5\%$ tapplings for voltage adjustment
Very good corrosion protection and low noise thanks to BLOCKIMPEX vacuum impregnation
Contact protected screw connection terminals complying with UVV BGV A3
Simple mounting thanks to robust metal footplate with oval slots

Applications

As a control transformer for the electrical isolation of the input and output sides. The construction of the transformer to supply control systems according to VDE 0113 is designed.

As an isolating transformer for the safe electrical isolation of the input and output sides. The transformer may be used to set up protective separation as a protective measure in accordance with VDE 0100.

As a safety isolating transformer for the safe electrical isolation of the input and output sides. The transformer is suitable for creating SELV and PELV circuits because of the limit on the output voltage.

Standards



Safety isolating transformer
to: VDE 0570 Part 2-6, DIN EN 61558-2-6, EN 61558-2-6, IEC 61558-2-6
Control transformer
to: VDE 0570 Teil 2-2, DIN EN 61558-2-2, EN 61558-2-2, IEC 61558-2-2

Approvals



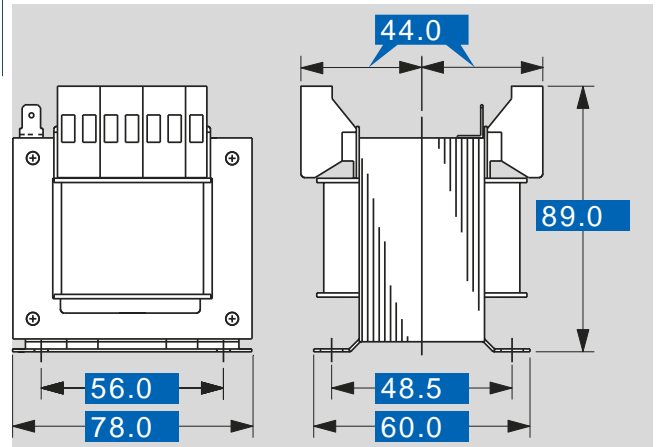
ENEC 10 (VDE), UL 5085-1/-2, CSA 22.2 No.66



Control- and safety isolating- resp. isolating transformer ST 63/4/42

Electrical data	
Type	
ST 63/4/42	
Input	
Rated input voltage	400 Vac
Tappings Input	±5 %
Rated frequency	50 - 60 Hz
Output	
Rated output voltage	42 Vac
Rated power VDE (DB cos phi=1)	63 VA
Rated power VDE (KB cos phi=0.5)	110 VA
No-load voltage (app. x factor)	1.10
Efficiency	84 %
Standards	
Classification	Control- and safety isolating transformer
Approvals	
Approvals	cURus, ENEC 10 (VDE)
Environment	
Ambient temperature max.	40 °C
Cooling method	by self-cooling
Safety and protection	
Type	open type
Class of Insulation System	VDE=B, UL=class 105
Protection index	IP 00
Safety class (prepared)	I
Short circuit strength	non-short-circuit proof
PRI Fusing recommendation by circuit breaker with tripping characteristic type 20 x I _{rated} related to set)	
Setting range	0.16 - 0.25 A
Setting value	0.19 A
Order numbers	
Order Number	ST 63/4/42

Mechanical data	
Type	
ST 63/4/42	
Terminal and mounting	
Terminals	Screw-type terminals, PE 6.3 x 0.8
Fixing method	Base plate
Fixing screws	M4
Measures and weights	
Weight	1.10 kg



Subjects to change.