

# SPECIFICATION

## 1. SCOPE

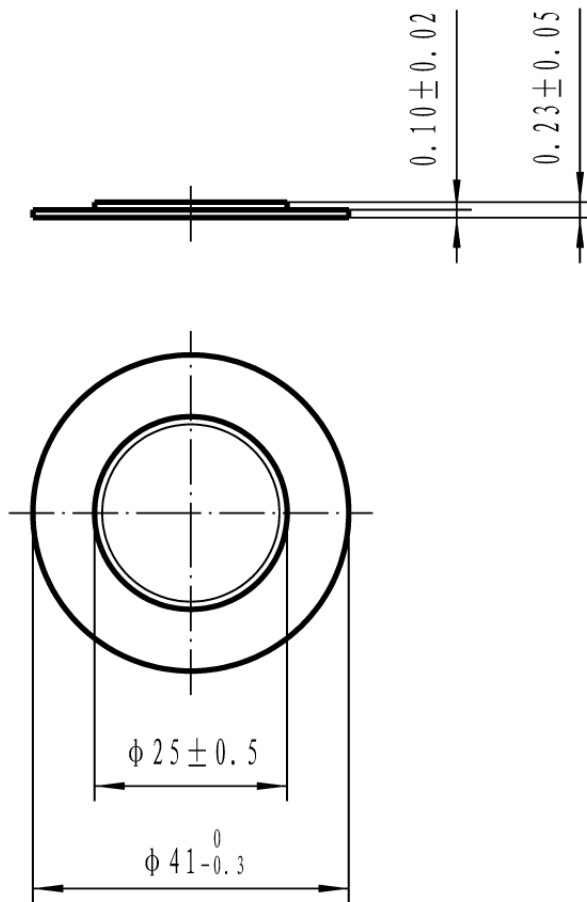
This specification is applied to the piezoelectric diaphragm.

## 2. SPECIFICATION

2.1 Resonant Frequency	:	1.0 ± 0.5	KHz
2.2 Resonant Resistace	:	1000	Ω max
2.3 Capacitance	:	66000	pF ± 30% at 100Hz
2.4 Input Voltage	:	30	Vp-p max
2.5 Operating Temperature	:	-20 ~ +60	°C
2.6 Storage Temperature	:	-20 ~ +70	°C

## 3. DIMENSION

as per figure



TOLERANCES UNLESS NOTED OTHERWISE .X ± .XX ± .XXX ± 90° FORMED +2° ANGLES -1°		SIGN	DATE	KEPO MODEL NO.	CUSTOMER		
	PREP.		01.07.25	KPTG-41T-1.0A1	CUSTOMER NO.		
	ENG.						
	QA.			DWG NO.	REV	1.0	SHEET
	PROJ.			KP3.840.756	UNIT:	mm	SCALE
CONTRACT NO.							
AGENCY APPROVAL				KEPO ELECTRONIC CO., LTD. <span style="float: right;">TEL: 886-2-2999-0888</span> <a href="http://www.kepo.com.tw">http://www.kepo.com.tw</a> <span style="float: right;">FAX: 886-2-2999-9199</span>			
FIRST ANGLE PROJECTION 							