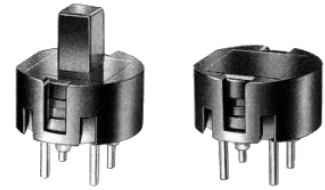


## Application

- ✓ TV/Video, Audio, Home appliance, Precision apparatus, Automotive, Office equipment, Communication, Musical instruments, Industrial control, Others



## Feature

- ✓ Different cap colors are available for the switches.

## ■Specification

Rating	DC 35V 10mA
Withstand Voltage	AC500V for 1 minute
Contact Resistance	50 mΩ Max
Insulation Resistance	DC500V - 100MΩ Min.
Operating Force	130 ± 50 gf.cm
Operating Life Cycle	100,000 cycles
Minimum Order Quantity	5,000 pcs per item per shipments

## ■How to order

SK12020F – 0102 – 7R – NB – 3

[Model](#)

Numbers of Pole & Position  
0102 – 1 pole 2 positions

Cap Type

Operating Force:


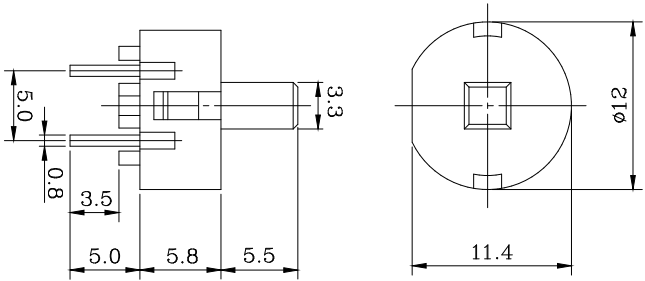
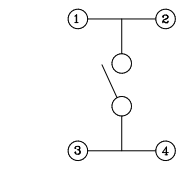
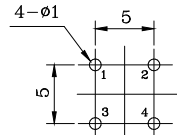

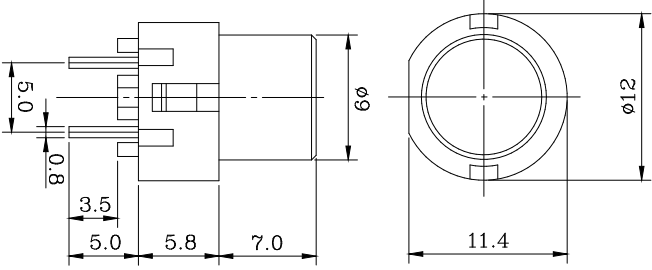
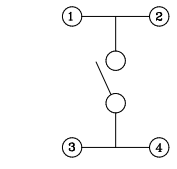
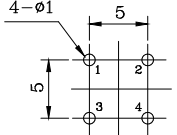
Order Code	Description
3	130 ± 50g

Color of the Cap:


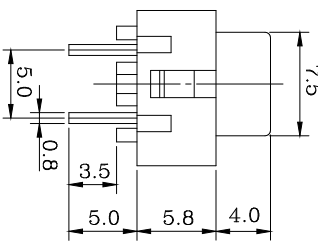
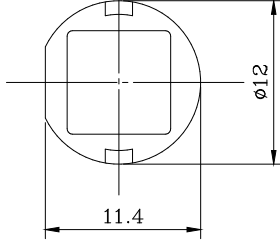
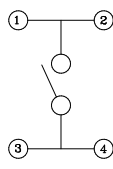
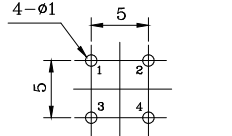

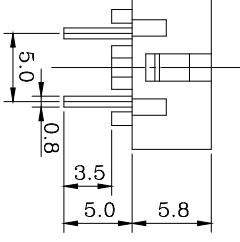
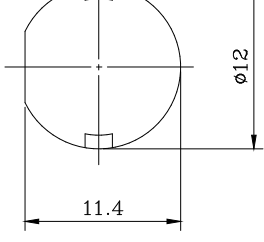
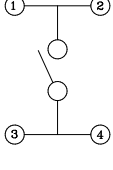
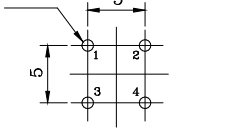
Order Code	Description
NW	White
NB	Black
NR	Red
NG	Green
NA	Gray
NL	Blue
NY	Yellow

## Model Description

Model	Operating Direction	Switch Circuit	Rating	Operating Force	Stroke
<a href="#">SK12010F-0102</a>	Vertical	SPST	DC 35V 10mA	130±50 gf.cm	0.8mm
<a href="#">SK12020F-0102</a>	Vertical	SPST	DC 35V 10mA	130±50 gf.cm	0.8mm
<a href="#">SK12030F-0102</a>	Vertical	SPST	DC 35V 10mA	130±50 gf.cm	0.8mm
<a href="#">SK12040F-0102</a>	Vertical	SPST	DC 35V 10mA	130±50 gf.cm	0.8mm

Order Code	Outline Drawing
SK12010F-0102-5.5P-□□-3 	 <p style="text-align: right;"><u>CIRCUIT ARRANGEMENT</u></p>  <p style="text-align: right;"><u>P.C.B. MOUNTING DETAIL</u></p> 
SK12020F-0102-7R-□□-3 	 <p style="text-align: right;"><u>CIRCUIT ARRANGEMENT</u></p>  <p style="text-align: right;"><u>P.C.B. MOUNTING DETAIL</u></p> 

[Back to top](#)

Order Code	Outline Drawing	
SK12030F-0102-4S-□□-3 	<div style="display: flex; justify-content: space-between;"> <div style="width: 45%;">  </div> <div style="width: 45%;">  </div> </div> <div style="text-align: right; margin-top: 10px;"> <p><u>CIRCUIT ARRANGEMENT</u></p>  <p><u>P.C.B. MOUNTING DETAIL</u></p>  </div>	
SK12040F-0102-0-□□-3 	<div style="display: flex; justify-content: space-between;"> <div style="width: 45%;">  </div> <div style="width: 45%;">  </div> </div> <div style="text-align: right; margin-top: 10px;"> <p><u>CIRCUIT ARRANGEMENT</u></p>  <p><u>P.C.B. MOUNTING DETAIL</u></p>  </div>	

**Design and specifications presented here are for the standard parts only. Please kindly contact us for your special requests and ask for the current technical specifications before purchase and/or use.**

[Back to top](#)