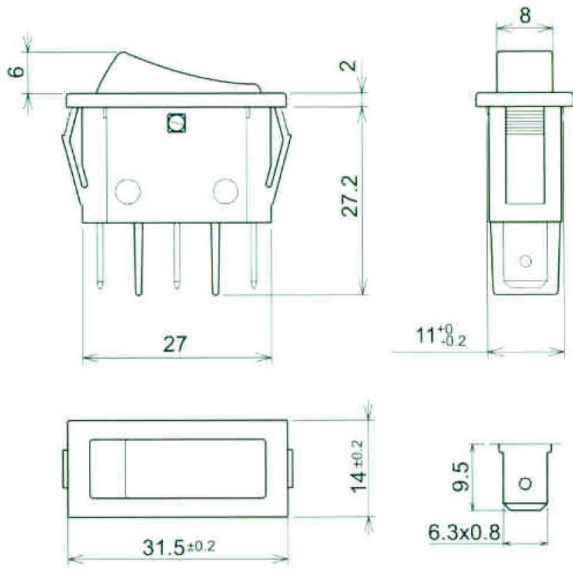




Rocker Switches, SPST, On-Off 250V AC 16A

Black/red Order code: **50-1025**
White/red Order code: **50-1024**
Black/green Order code: **50-1026**



16(6)A/250V~
 10A/250Vac -5E4
 T120/55°C

20A/125Vac
 16A/250Vac
 1/3HP-125Vac
 3/4HP-250Vac
 T65°C

Z	Y	X
0,7-1,25	11 ^{+0.2} ₋₀	30,0 ⁺⁰ _{-0.1}
1,25-2	11 ^{+0.2} ₋₀	30,2 ⁺⁰ _{-0.1}
2-3	11 ^{+0.2} ₋₀	30,6 ⁺⁰ _{-0.2}
3-4	11 ^{+0.2} ₋₀	30,8 ⁺⁰ _{-0.2}