

Non-Illuminated Rocker Switches DPST Off-On 250V AC 16A - Green



DESCRIPTION

High-quality rocker switches designed for use in damp environments.

DISTINCTIVE FEATURES

- Non-illuminated
- DPST, Off-On
- Maintained-Maintained
- Black rocker button
- Legend: 0/1

APPLICATIONS

Floor cleaning machines, professional tools, kitchen appliances and small devices of all types.

16A

250V
AC

CLASS
II

IP65

UL94-
V2



ELECTRICAL SPECIFICATION

| | |
|---|-----------------------|
| Rating resistive and/or motor switching | 16 (8) A 250V AC 1E4 |
| | 12 (10) A 250V AC 5E4 |
| | 10A 400V AC 1E4 |
| USA Rating | 20A 125V AC |
| | 16A 250V AC |
| Insulation Resistance | > 10MΩ |
| Insulation Class (Double Insulated) | Class II |
| Dielectric Strength | 4000V |
| Proof tracking index | PTI 250V |



GENERAL SPECIFICATION

| | |
|-----------------|----------------------|
| Type | Rocker switch |
| Contacts | DPST |
| Actuating Force | < 15N |
| Contact Opening | > 3mm |
| Mechanical Life | > 300,000 operations |
| Finish | Gloss |



CERTIFICATION AND STANDARDS

| | |
|-----------|-----------------------|
| Standards | EN61058 |
| | UL1054 |
| | CSA C.22.2 no 55-1986 |



ENVIRONMENTAL/OPERATING SPECIFICATION

| | |
|-----------------------|---------|
| Operating Temperature | T65°C |
| Flame resistance | UL94-V2 |
| Glow wire test | 850°C |
| IP Protection Rating | IP65 |



TERMINALS

| | |
|------------|-------------------|
| Type | Solder tags |
| Dimensions | 9.5 x 6.3 x 0.8mm |



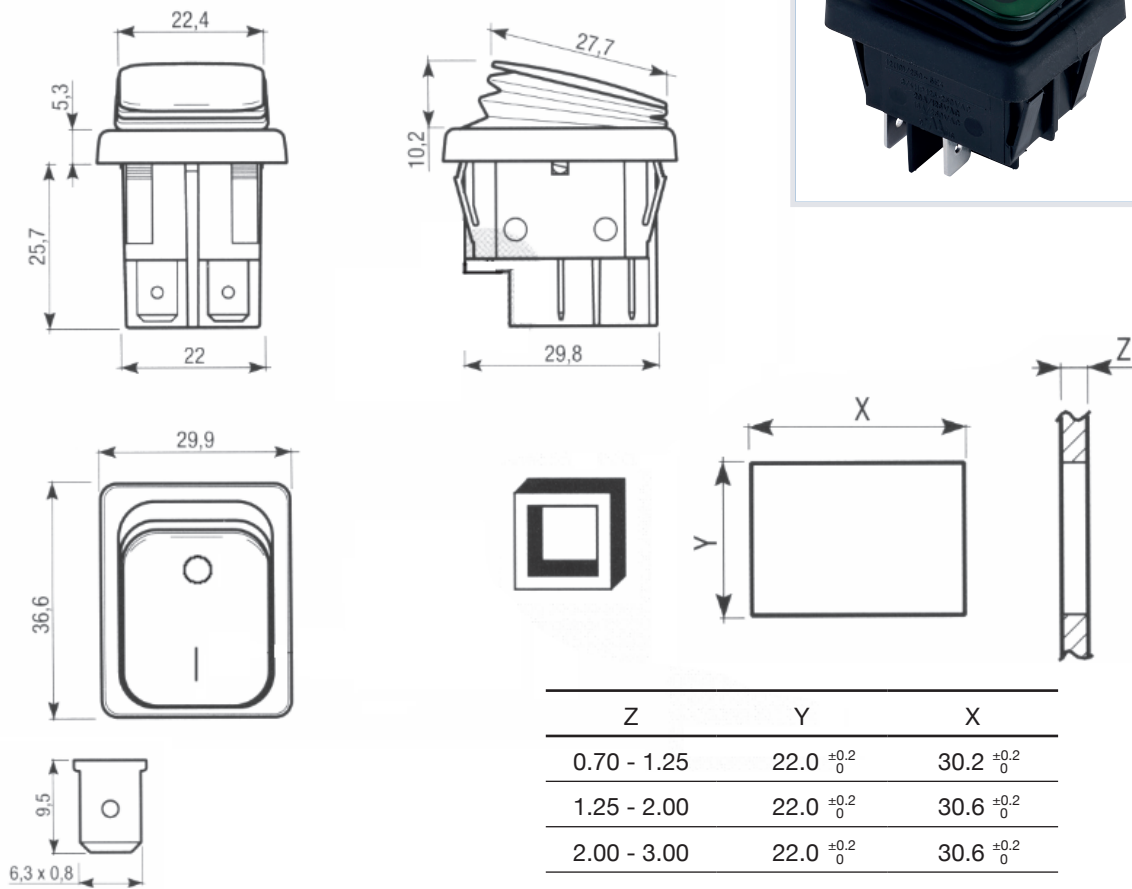
OPTIONS

| | |
|----------|----------------------------------|
| Options | MOQs May Apply |
| Contacts | e.g. DPDT, SPST |
| Legend | Custom legends available |
| GWT | e.g. GWT No flame (<2sec) 750°C |



DIMENSIONS/DRAWINGS

| | |
|------------|----|
| Dimensions | mm |
|------------|----|



PART NUMBER TABLE

| Part number | EAN | UNSPSC | Country of Origin |
|-------------|---------------|----------|-------------------|
| 52-2776 | 5053556003037 | 39122226 | Italy |

R-TECH

Tried & trusted technology

Important Notice: This data sheet and its contents (the "Information") belong to Rapid Electronics Limited or are licensed to it. No licence is granted for the use of it other than for information purposes in connection with the products to which it relates. No licence of any intellectual property rights is granted. The Information is subject to change without notice and replaces all data sheets previously supplied. The Information supplied is believed to be accurate but Rapid Electronics Limited assumes no responsibility for its accuracy or completeness, any error in or omission from it or for any use made of it. Users of this data sheet should check for themselves the Information and the suitability of the products for their purpose and not make any assumptions based on information included or omitted. Liability for loss or damage resulting from any reliance on the Information or use of it (including liability resulting from negligence or where Rapid Electronics Limited were aware of the possibility of such loss or damage arising) is excluded. This will not operate to limit or restrict Rapid Electronics Limited's liability for death or personal injury resulting from its negligence.