

Non-Illuminated Rocker Switch SPDT On-Off-On 250V AC 10A Black



DESCRIPTION

High-quality rocker switch designed for use in damp environments.

DISTINCTIVE FEATURES

- Non-illuminated
- SPDT, On-Off-On
- Maintained-Maintained-Maintained
- Black rocker button

APPLICATIONS

Floor cleaning machines, professional tools, kitchen appliances and small devices of all types.

10A

250V
AC

Class
II

IP65

UL94-
V2



ELECTRICAL SPECIFICATION

Rating resistive and/ or motor switching	EN 61058	UL 1054 CSA C.22.2
	10 (4) A / 250 VAC	10A -125 / 250 VAC
	6 (6) A / 250 VAC	1/3 HP - 125 VAC
	6 (4) A / 250 VAC - 5E4	1/2 HP - 250 VAC
	T125/55°C - T125°C	T105°C
Insulation Resistance	> 10MΩ	
Insulation Class	Class II (Double Insulated)	
Dielectric Strength	4000V	
Proof tracking index	PTI 250V	



GENERAL SPECIFICATION

Type	Rocker switch
Contacts	SPDT
Actuating Force	< 15N
Contact Opening	> 3mm
Mechanical Life	> 50,000 operations
Finish	Gloss



CERTIFICATION AND STANDARDS

Standards	EN61058
	UL1054
	CSA C.22.2 no 55-1986



ENVIRONMENTAL/OPERATING SPECIFICATION

Operating Temperature	T65°C
Flame resistance	UL94-V2
Glow wire test	850°C
IP Protection Rating	IP65



TERMINALS

Type	Solder tags
Dimensions	4.8 x 1.7 x 0.8mm



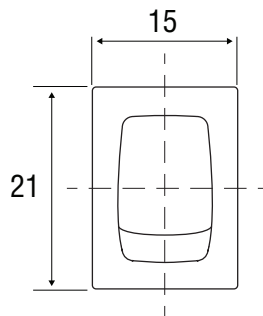
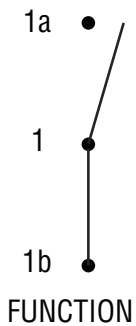
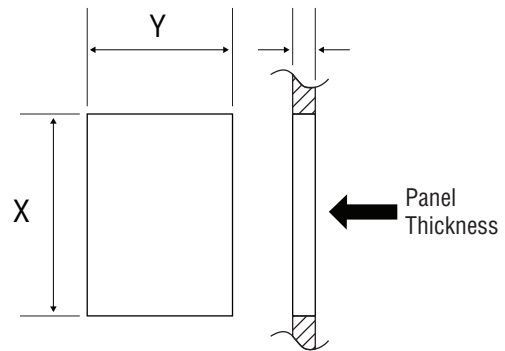
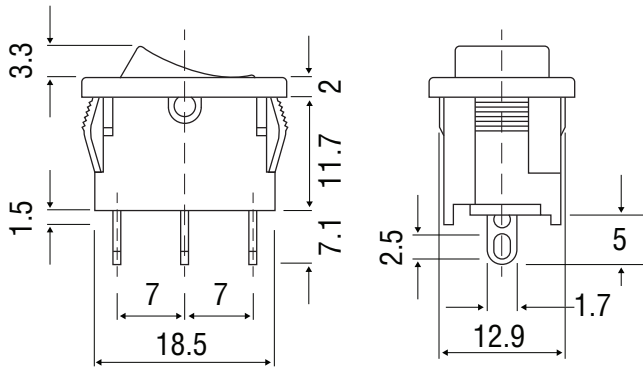
OPTIONS

Contacts	e.g. DPDT, SPST
Legend	Custom legends available
GWT	e.g. GWT No flame (<2sec) 750°C



DIMENSIONS/DRAWINGS

Dimensions	mm
------------	----



Panel Thickness	Y	X
0,75 ... 1,25	13,0 ±0.1	19,0 ±0.1
1,25 ... 2,0	13,0 ±0.1	19,3 ±0.2
2,0 ... 3,0	13,0 ±0.1	19,6 ±0.2



PART NUMBER TABLE

Part Number	EAN	UNSCPSC	Country of Origin
52-2782	5053556003099	39122226	Italy

R-TECH

Tried & trusted technology

Important Notice: This data sheet and its contents (the "Information") belong to Rapid Electronics Limited or are licensed to it. No licence is granted for the use of it other than for information purposes in connection with the products to which it relates. No licence of any intellectual property rights is granted. The Information is subject to change without notice and replaces all data sheets previously supplied. The Information supplied is believed to be accurate but Rapid Electronics Limited assumes no responsibility for its accuracy or completeness, any error in or omission from it or for any use made of it. Users of this data sheet should check for themselves the Information and the suitability of the products for their purpose and not make any assumptions based on information included or omitted. Liability for loss or damage resulting from any reliance on the Information or use of it (including liability resulting from negligence or where Rapid Electronics Limited were aware of the possibility of such loss or damage arising) is excluded. This will not operate to limit or restrict Rapid Electronics Limited's liability for death or personal injury resulting from its negligence.