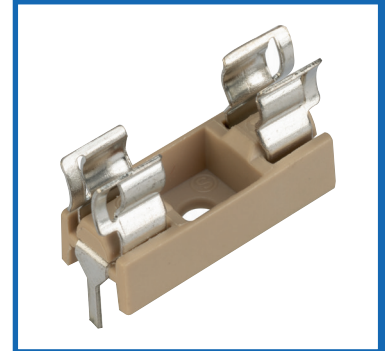


PCB Mount 5x20mm Fuseholders



DESCRIPTION

A PCB mount fuseholder with straight pins for 5x20mm fuses.

DISTINCTIVE FEATURES

- Through-hole PCB mount with straight pins for easy assembly
- Recessed hole in base for screw mounting
- Clear cover to protect fuse available as an option
- UL and VDE approved

APPLICATIONS

These R-TECH PCB-mount fuseholders are used to integrate a 5 x 20mm fuse safely within an electric circuit. They are ideal for general PCB mounted applications. A fuse carrier is available to protect the fused connections or prevent accidental contact. They are suited to professional and hobbyist applications

5x
20mm

PCB

10A

VDE

UL



ELECTRICAL SPECIFICATION

Shocksafe Category	PC2 to IEC 60127-6
Rated Voltage	250VAC
Rated Current (UL)	15A
Rated Current (VDE)	10A
Rated Power	2.5W/10A @ Ta 23°C Admissible power acceptance at higher ambient temperature see derating curves
IEC Acceptance (See derating curves)	See graph
Protection Class	Suitable for appliances with protection class 1 or 2 acc. to IEC 61140
Contact Resistance	< 5mΩ at 20 mV
Dielectric Strength (Between L-N)	> 3kV (50Hz; 1 min)
Dielectric Strength (Between L/N-PE)	> 4kV (50Hz; 1 min)
Insulation Resistance (Between L-N)	> 10MΩ (500VDC; 1 min)
Insulation Resistance (Between L/N-PE)	> 100MΩ (500VDC; 1 min)
Overtoltage Category	I - III acc. to IEC 60664-1
Impulse Withstand Voltage (Between L-N)	> 4kV
Impulse Withstand Voltage (Between L/N-PE)	> 6kV



GENERAL SPECIFICATION

Series	Fuseholder
Type	PCB mounting straight pin
Compatible Fuse Size (Diameter x Length)	5 x 20mm
Mounting Type	PCB mount
Mounting Method	Solder pins
Product Marking	Type, voltage, current, approvals



MATERIALS

Base/Body	Thermoplastic UL94-V0
Terminals	Tin-plated copper alloy
Cover	Thermoplastic UL94-V0
Base Colour	Beige
Cover Colour	Clear



ENVIRONMENTAL/OPERATING SPECIFICATION

Flame Retardancy	UL94-V0
Operating Temperature	-40°C to 85°C
Storage Temperature	0°C to 60°C
Storage RH	Max. 70% r.h
Pollution Degree	1 - 3 acc. to IEC 60664-1
Climatic Category	40/085/21 acc. to IEC 60068-1
Soldering Methods	Soldering iron
Solderability	350°C/2sec acc. to IEC 60068-2-20, test ta, method 2
Resistance to Soldering Heat	350°C/10sec acc. to IEC 60068-2-20 test tb, method 2
RoHS	Yes



CERTIFICATION AND STANDARDS

Approvals - VDE	Certificate Number 134125
Approvals - UL	Certificate Number E239034
Standards - IEC	IEC 60127-6
	IEC 61140
	IEC 60068-1
	IEC 60664-1
	IEC 60068-2-20
Standards - UL	UL4248-1/UL512
Standards - GB	GB9364.6



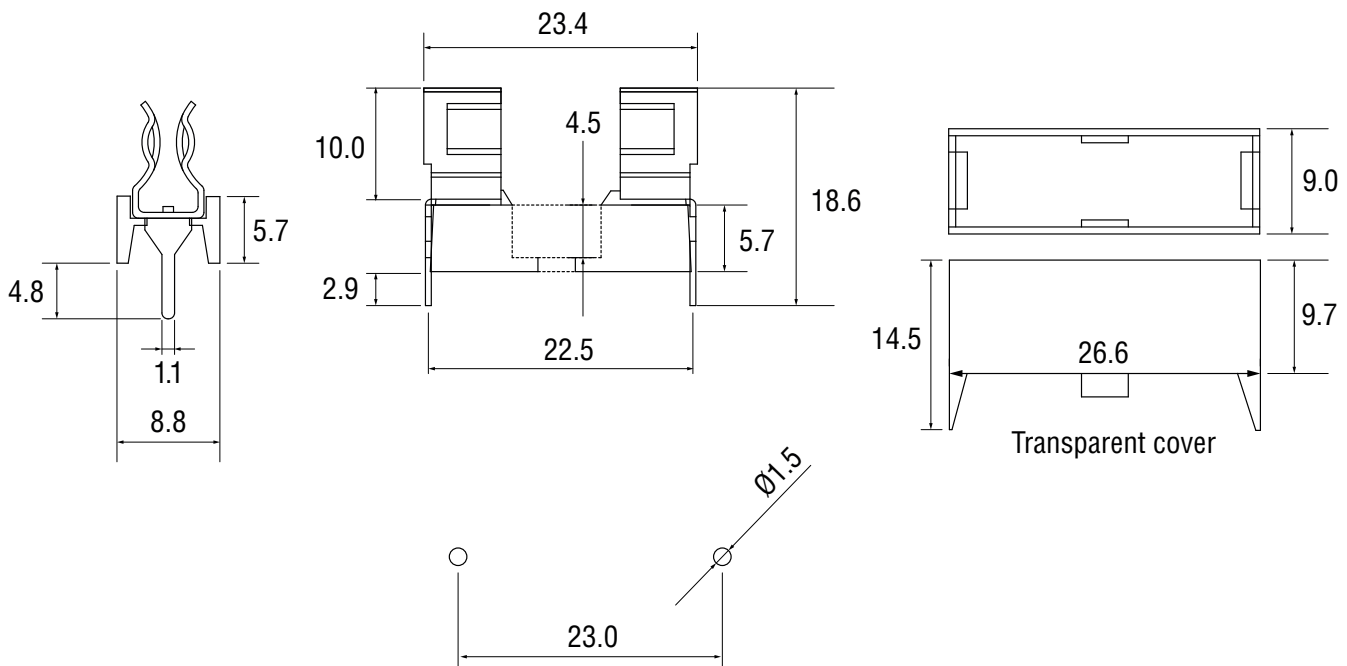
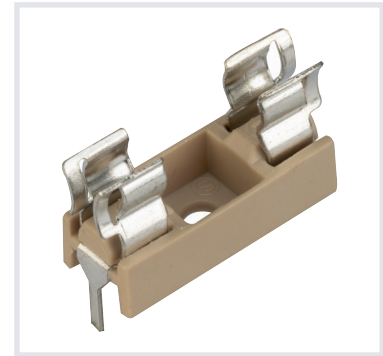
TERMINALS

Terminal Type	Solder pins
Terminal Dimension	4.8 x 1.1 x 0.5mm

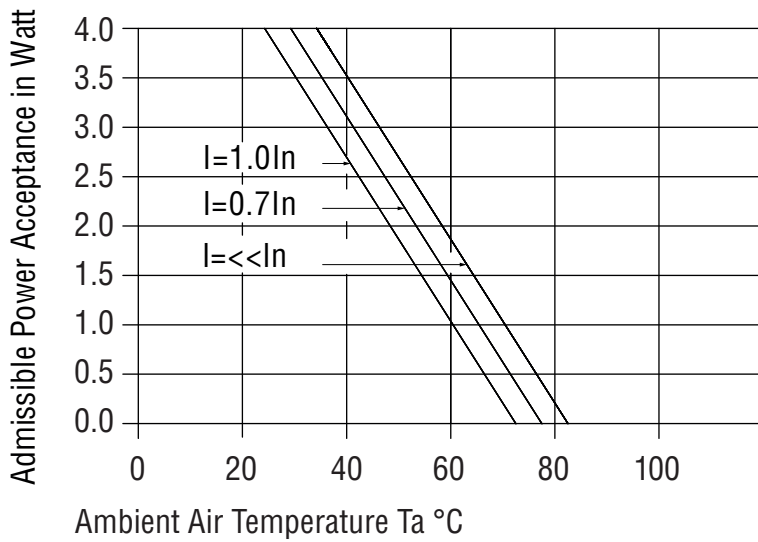


DIMENSIONS/DRAWINGS

Units	mm - unless stated otherwise
Dimensions (Summary)	23.4 x 8.8 x 18.6mm
Fuseholder 52-2818	
Length	23.4mm
Width	8.8mm
Height	19mm
Mounting Holes (See drawing)	23mm pitch $\varnothing 1.5$ mm
Unit Weight (Socket)	3.55g
Max PCB Thickness	3.8mm
Transparent cover 52-2819	
Cover dimensions	26.6 x 9 x 14.5mm
Cover weight	0.89g



Derating Curves



OPTIONS (MOQ may apply)

Terminal Type	Kinked solder pins
---------------	--------------------



PART NUMBER TABLE

Part Number	Type	UNSPSC Code	EAN	Country of Origin
52-2818	Fuse holder	39121624	5053556006342	China
52-2819	Clear head cover	39121624	5053556006366	China



Tried & trusted technology

Important Notice: This data sheet and its contents (the "Information") belong to Rapid Electronics Limited or are licensed to it. No licence is granted for the use of it other than for information purposes in connection with the products to which it relates. No licence of any intellectual property rights is granted. The Information is subject to change without notice and replaces all data sheets previously supplied. The Information supplied is believed to be accurate but Rapid Electronics Limited assumes no responsibility for its accuracy or completeness, any error in or omission from it or for any use made of it. Users of this data sheet should check for themselves the Information and the suitability of the products for their purpose and not make any assumptions based on information included or omitted. Liability for loss or damage resulting from any reliance on the Information or use of it (including liability resulting from negligence or where Rapid Electronics Limited were aware of the possibility of such loss or damage arising) is excluded. This will not operate to limit or restrict Rapid Electronics Limited's liability for death or personal injury resulting from its negligence.