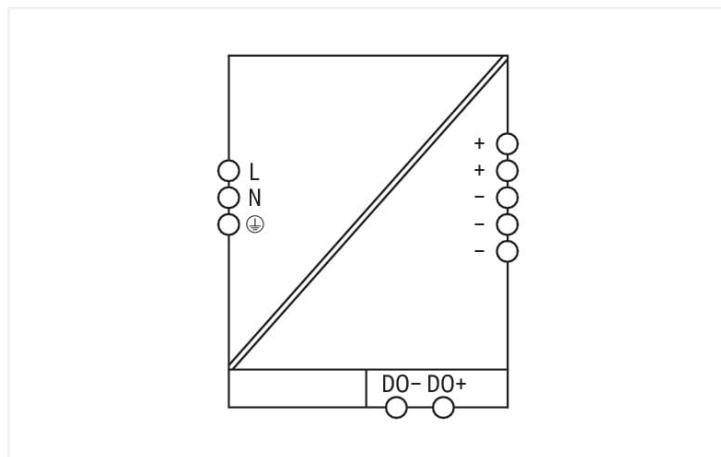
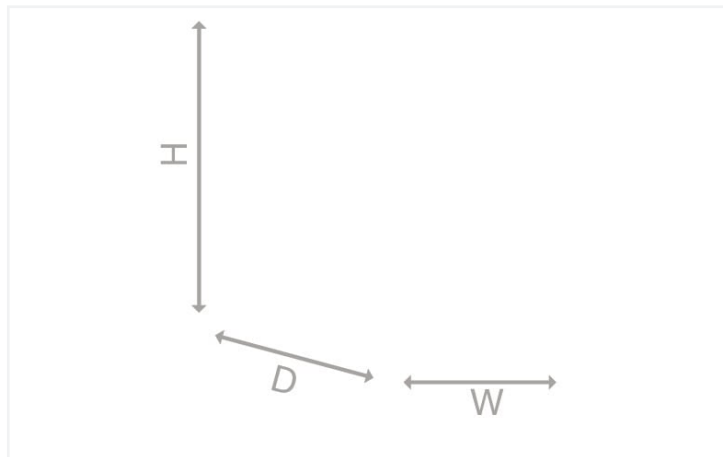


Data Sheet | Item Number: 2687-2144

Power supply; Eco 2; 1-phase; 24 VDC output voltage; 5 A output current; DC OK contact

<https://www.wago.com/2687-2144>



**Features:**

- Signal output, optical status indication
- Suitable for both parallel and series operation
- Natural convection cooling when horizontally mounted
- Connection technology with push-in termination and tool-free lever operation
- Electrically isolated output voltage (SELV/PELV) per EN 61010/UL 61010
- Marker slot (2789-1233, not included) for WAGO marking cards (WMB) and WAGO marking strips

Technical data

Input		Output	
Phases	1	Nominal output voltage $U_{o, nom}$	DC 24 V (SELV)
Nominal input voltage $U_{i, nom}$	1 x AC 100 ... 240 V	Output voltage range	DC 23 ... 28 V (adjustable)
Input voltage range	1 x AC 90 ... 264 V	Default setting	DC 24 V
Nominal mains frequency range	50 ... 60 Hz; 0 Hz	Nominal output current $I_{o, nom}$	5 A (24 VDC)
Input current I_i	≤ 0.8 A (230 VAC; nominal load); ≤ 1.5 A (100 VAC; nominal load)	Nominal output power	120 W
Inrush current	≤ 20 A (after 1 ms)	Deviation	≤ 1 %
Power factor correction (PFC)	active	Residual ripple	≤ 75 mV (Peak-to-peak)
Mains failure hold-up time	≥ 20 ms (230 VAC)	Overload behavior	Constant current up to 125 %; shutdown and automatic restart in the event of a short circuit

Signaling and Communication

Signaling	Optical status indication (overload) Optical status indication (DC OK) Digital signal output (DO)
-----------	---

Efficiency/power losses

Power loss P_i	≤ 3 W; ≤ 12 W (Nominal load)
Efficiency (typ.)	90 %

Circuit protection

Internal fuse	T 3.15 A / 250 VAC
Backup fusing (recommended)	16 A (for USA/Canada: 15 A)

Safety and protection

Isolation voltage (pri.-sec., AC)	3510 V
Isolation voltage (pri.-PE, AC)	2200 V
Isolation voltage (sec.-PE)	DC 0.5 kV
Isolation voltage (sec.-signal)	DC 0.5 kV
Protection class	I
Protection type	IP20; per EN 60529
Overvoltage category	III (≤ 2000 m a.s.l.); II (> 2000 m a.s.l.)
Pollution degree	2
Short-circuit-protected	Yes
Open-circuit-proof	Yes



Safety and protection

Parallel operation	Yes
Series operation	No
MTBF	> 1,000,000 h (per IEC 61709)