

Data sheet | Item number: 855-2701/035-001

Plug-in current transformer; Primary rated current: 35 A; Secondary rated current: 1 A; Rated power: 0.2 VA; Accuracy class: 1



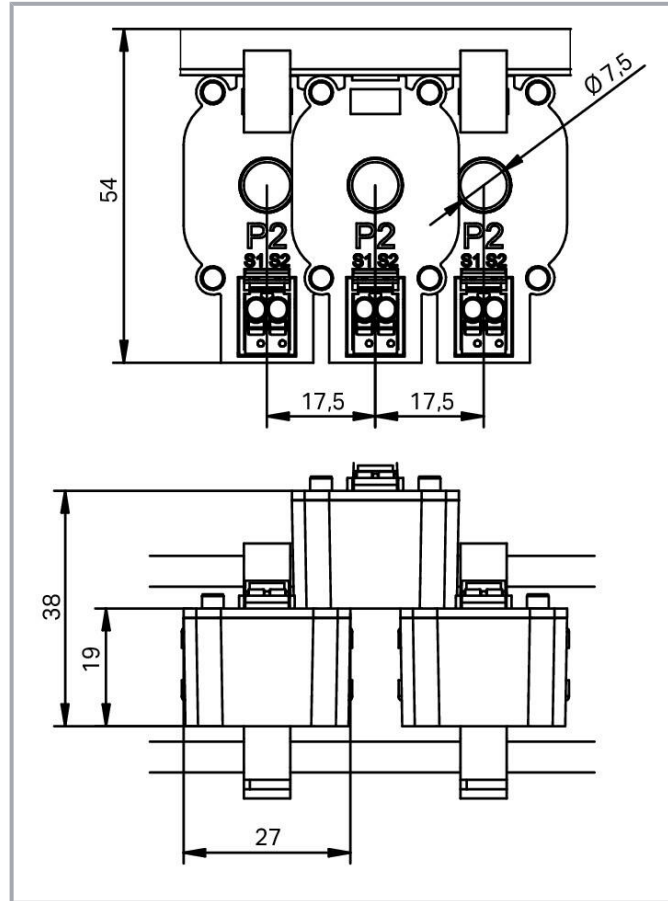
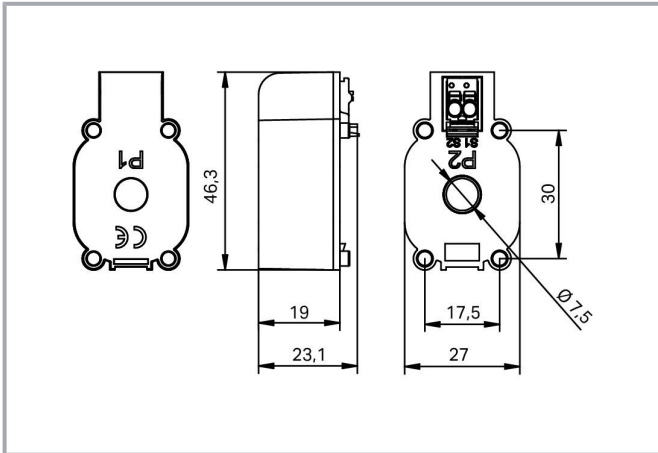
[www.wago.com/855-2701/035-001](http://www.wago.com/855-2701/035-001)



Subject to changes. Please also observe the further product documentation!

WAGO GmbH & Co. KG  
Hansastr. 27  
32423 Minden  
Phone: +49571 887-0 | Fax: +49571 887-169  
Email: [info.de@wago.com](mailto:info.de@wago.com) | Web: [www.wago.com](http://www.wago.com)

Do you have any questions about our products?  
We are always happy to take your call at +49 (571) 887-44222.



## Item description

### Short description:

WAGO's plug-in current transformers (855 Series) are inductive, single-conductor current transformers. Due to the measurement principle used, these current transformers are exclusively designed for AC network applications.

### Features:

- All-new design with *picoMAX*<sup>®</sup> connection technology
- Ready for space-restricted applications
- Simple assembly permits 17.5 mm phase spacing, allowing perfect adjustment to any circuit breaker.
- Easily mount on DIN-rail or panels via DIN-rail adapter (855-9927)
- Convert current from 64 A or 35 A to 1 A
- Accuracy class: 1

Subject to changes. Please also observe the further product documentation!

## Data

### Technical data

#### Input Current Transformers

Primary rated current	35 A
Rated continuous thermal current $I_{cth}$	100 %
Rated short-time thermal current $I_{th}$	$60 \times I_N / 1 \text{ s}$
Rated surge current $I_{dyn}$	$2.5 \times I_{th}$
Rated frequency	50 ... 60 Hz

#### Output – current transformer

Secondary rated current	1 A
Rated power $S_r$	0.2 VA

#### Measurement Error

Accuracy class	1
----------------	---

#### Safety and protection

Highest voltage for equipment $U_m$	AC 720 V <sub>rms</sub>
Protection type	IP20

#### Test voltage

Test voltage	AC 3 kV; 50 Hz; 1 min
--------------	-----------------------

#### Connection data

Connection technology	Push-in CAGE CLAMP®
WAGO connector	<i>picoMAX</i> ® 3.5, 2091-1122
Solid conductor	0.2 ... 1.5 mm <sup>2</sup> / 24 ... 14 AWG
Fine-stranded conductor	0.2 ... 1.5 mm <sup>2</sup> / 24 ... 14 AWG
Strip length	8 ... 9 mm / 0.31 ... 0.35 inches
Feedthrough for measurement conductor	Ø 7.5 mm

Subject to changes. Please also observe the further product documentation!



## Physical data

Width	27 mm / 1.063 inches
Height	46 mm / 1.811 inches
Depth	23 mm / 0.906 inches

## Mechanical Data

Mounting type	Installation on round cable Closed current transformer Mounting on DIN-rail via DIN-rail adapter Mounting on round cable
---------------	---

## Material Data

Insulation class	E
Flammability class per UL94	V2
Housing material	PA 66
Weight	48.4 g

## Environmental requirements

Ambient temperature (operation at $U_N$ )	-10 ... +55 °C
Surrounding air temperature (storage)	-20 ... +70 °C
Relative humidity	5 ... 85 % (without condensation)
Operating altitude (max.)	2000 m

## Standards and specifications

Conformity marking	CE
Standards/specifications	EN 61869-1 EN 61869-2 UL

## Commercial data



eCl@ss 10.0	27-21-09-02
eCl@ss 9.0	27-21-09-02
ETIM 8.0	EC002048
ETIM 7.0	EC002048
PU (SPU)	15 (1) pcs
Packaging type	box

Subject to changes. Please also observe the further product documentation!

Country of origin	NL
GTIN	4050821864240
Customs tariff number	85043129900

## Approvals / Certificates

### General approvals

Logo	Approval	Additional Approval Text	Certificate name
	<b>EAC</b> Brjansker Zertifizierungsstelle	TP TC 004/2011, TP TC 020/2011	EAC RU C-DE.AM02.B.00111 /19
	<b>UL</b> Underwriters Laboratories Inc.	-	E356480

## Optional accessories

### Signal conditioner

#### Power measurement module



**Item no.: 2857-570/024-001**

3-Phase Power Measurement Module; 3x277/480 V/1 A; Modbus RTU; Digital output; Configuration via software; Supply voltage: 24 VDC

[www.wago.com/2857-570/024-001](http://www.wago.com/2857-570/024-001)

#### Current signal conditioner



**Item no.: 857-550**

Current signal conditioner; Current input signal; Current and voltage output signal; Digital output; Configuration via software; Supply voltage: 24 VDC; 6 mm module width; 2,50 mm<sup>2</sup>

[www.wago.com/857-550](http://www.wago.com/857-550)

### Tool

#### Operating tool



**Item no.: 210-719**

Operating tool; Blade: 2.5 x 0.4 mm; with a partially insulated shaft

[www.wago.com/210-719](http://www.wago.com/210-719)

### Mounting adapter

#### DIN-rail adapter



**Item no.: 855-9927**

Carrier rail adapter

[www.wago.com/855-9927](http://www.wago.com/855-9927)

### Mounting

#### Current transformer terminal block

Subject to changes. Please also observe the further product documentation!

WAGO GmbH & Co. KG

Hansastr. 27

32423 Minden

Phone: +49571 887-0 | Fax: +49571 887-169

Email: [info.de@wago.com](mailto:info.de@wago.com) | Web: [www.wago.com](http://www.wago.com)

Do you have any questions about our products?

We are always happy to take your call at +49 (571) 887-44222.



**Item no.: 2007-8874**

Compact terminal block; for current and voltage transformers; 6,00 mm<sup>2</sup>; multicoloured

[www.wago.com/2007-8874](http://www.wago.com/2007-8874)



**Item no.: 2007-8877**

Compact terminal block; for current transformer circuit; 6,00 mm<sup>2</sup>; multicoloured

[www.wago.com/2007-8877](http://www.wago.com/2007-8877)



**Item no.: 2007-8875**

Compact terminal block; for current transformer circuit; 6,00 mm<sup>2</sup>; multicoloured

[www.wago.com/2007-8875](http://www.wago.com/2007-8875)



**Item no.: 2007-8876**

Compact terminal block; for 3-phase current transformer circuit; 6,00 mm<sup>2</sup>; multicoloured

[www.wago.com/2007-8876](http://www.wago.com/2007-8876)



**Item no.: 2007-8873**

Compact terminal block; for current and voltage transformers; 6,00 mm<sup>2</sup>; multicoloured

[www.wago.com/2007-8873](http://www.wago.com/2007-8873)

## Downloads

### Documentation

#### Bid Text

855-2701/035-001 X81 - Datei	Feb 19, 2019	xml 5.3 kB	Download
---------------------------------	--------------	---------------	----------

855-2701/035-001 doc - Datei	Jul 21, 2015	doc 31.7 kB	Download
---------------------------------	--------------	----------------	----------

#### Instruction Leaflet

Aufsteck-Stromwandler mit picoMAX - Steckverbinder		pdf 328.4 kB	Download
--	--	-----------------	----------

#### Additional Information

Disposal and Recycling Electrical and electronic equipment, Batteries, Packaging	V 1.1.0 Aug 18, 2022	pdf 2.2 MB	Download
---	-------------------------	---------------	----------

## Engineering-Software

### Configuration and Commissioning Software

Subject to changes. Please also observe the further product documentation!



WAGO Interface Configuration Software G2 FULL	1.0.8.6	exe	Download
The full setup, in addition to the WAGO Interface Configuration Software G2, includes the installation for the Microsoft .NET Framework.	Jan 20, 2022	114.0 MB	

WAGO Interface Configuration Software G2 SMALL	1.0.8.6	exe	Download
The full setup only includes the WAGO Interface Configuration Software G2.	Jan 20, 2022	30.0 MB	

## CAD/CAE-Data

### CAE data

EPLAN Data Portal 855-2701/035-001	URL	Download
------------------------------------	-----	----------

WSCAD Universe 855-2701/035-001	URL	Download
---------------------------------	-----	----------

EPLAN Data Portal 855-2701/035-001	URL	Download
------------------------------------	-----	----------

WSCAD Universe 855-2701/035-001	URL	Download
---------------------------------	-----	----------

ZUKEN Portal 855-2701/035-001	URL	Download
-------------------------------	-----	----------

### CAD data

2D/3D Models 855-2701/035-001	URL	Download
-------------------------------	-----	----------

## Environmental Product Compliance

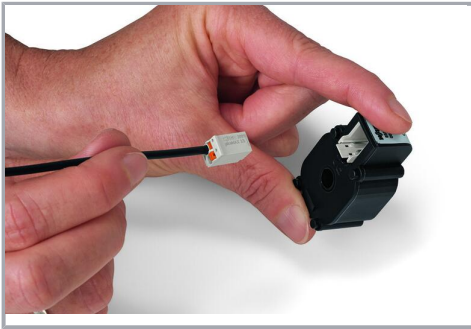
### Compliance Search

Environmental Product Compliance 855-2701/035-001	URL	Download
Plug-in current transformer; Primary rated current: 35 A; Secondary rated current: 1 A; Rated power: 0.2 VA; Accuracy class: 1		

## Installation Notes

### Conductor termination

Subject to changes. Please also observe the further product documentation!



Push-in termination of solid conductors and fine-stranded conductors with ferrules



Universal connection for fine-stranded conductors

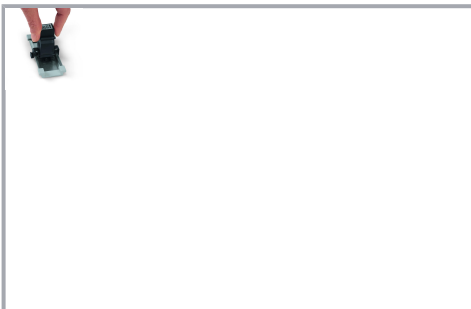
### Installation



Just slide together.



To save space, mount directly above the circuit breaker.



Mounting on DIN-rail via 855-9927 DIN-Rail Adapter

Subject to changes. Please also observe the further product documentation!