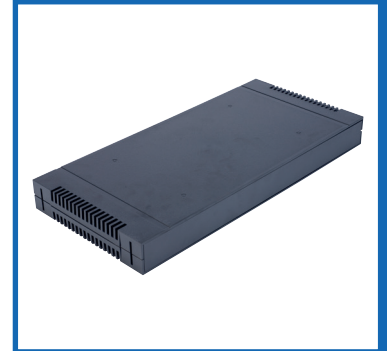


1U Rack Mount Enclosure



DESCRIPTION

A black 1U rack mount enclosure designed to enclose 19 inch rack-mounted equipment.

DISTINCTIVE FEATURES

- Ventilating side vents for free air movement
- Rack mounting or stand alone
- Made from high impact ABS plastic
- Secured with slot in mounting brackets
- Supplied with 4 fixing screws

APPLICATIONS

Suitable for rack mounted equipment, such as servers, networking and audio equipment.

ABS

Rack

19
inch

1U



GENERAL SPECIFICATION

Series	19 inch enclosures
Type	1U Rack mount enclosure
Enclosure colour	Black
Bracket colour	Black
Screw type	Self tapping pan head philips
RoHS Compliant	Yes



MATERIALS

Enclosure	ABS
Mounting brackets	ABS
Enclosure finish	Matt
Bracket finish	Matt
Screws	Bright zinc passivated steel



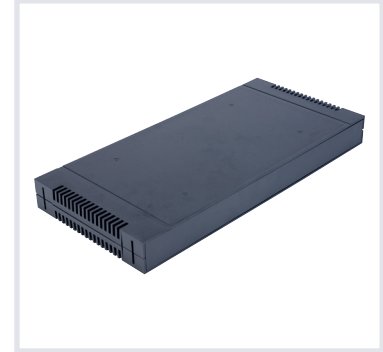
ENVIRONMENTAL/OPERATING SPECIFICATION

ABS flame retardancy level	UL94-V0
----------------------------	---------

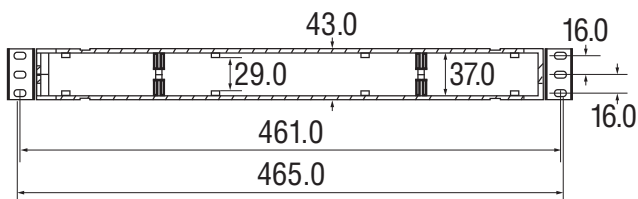
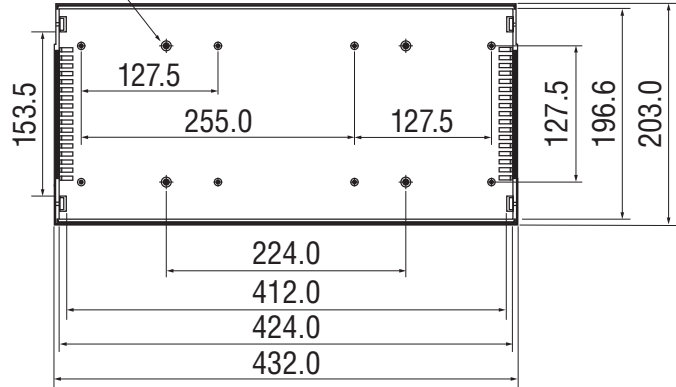
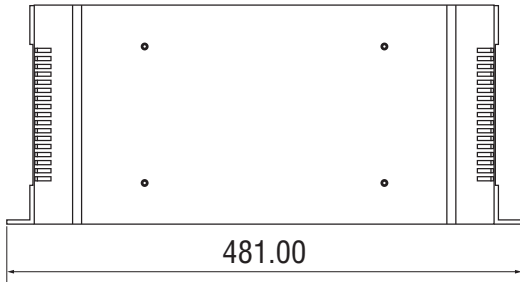


DIMENSIONS/DRAWINGS

Units	mm - unless stated otherwise
Enclosure overall dimensions	432 x 203 x 43mm
Bracket overall dimensions	24 x 43 x 35mm
Weight (grams)	900
Screw size	3ø x 27mm



pan head screws





OPTIONS (MOQ may apply)

Optional heights	2U and 3U available
------------------	---------------------



PART NUMBER TABLE

Part Number	UNSPSC Code	EAN	Country of Origin
52-4335	39121324	5053556005352	Taiwan



Tried & trusted technology

Important Notice: This data sheet and its contents (the "Information") belong to Rapid Electronics Limited or are licensed to it. No licence is granted for the use of it other than for information purposes in connection with the products to which it relates. No licence of any intellectual property rights is granted. The Information is subject to change without notice and replaces all data sheets previously supplied. The Information supplied is believed to be accurate but Rapid Electronics Limited assumes no responsibility for its accuracy or completeness, any error in or omission from it or for any use made of it. Users of this data sheet should check for themselves the Information and the suitability of the products for their purpose and not make any assumptions based on information included or omitted. Liability for loss or damage resulting from any reliance on the Information or use of it (including liability resulting from negligence or where Rapid Electronics Limited were aware of the possibility of such loss or damage arising) is excluded. This will not operate to limit or restrict Rapid Electronics Limited's liability for death or personal injury resulting from its negligence.