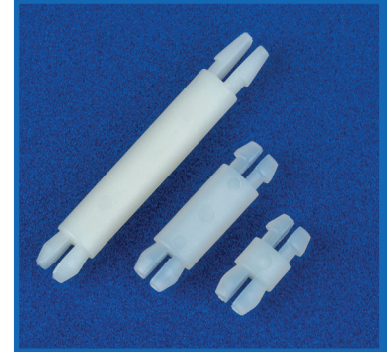


## Miniature Snap-Fit Nylon PCB Supports



### DESCRIPTION

Miniature snap-fit support posts for mounting PCBs, etc., to a chassis or another PCB.

### APPLICATIONS

Mounting printed circuit boards or other panels on to a chassis. Ideal for applications where non-conductive, lightweight parts are required.

**Nylon**

**UL94-V2**

**Snap-fit**





## GENERAL SPECIFICATION

Series	Nylon PCB Supports
Type	Snap-fit PCB support



## MATERIALS

Material	UL approved Nylon 66, 94-V2
----------	-----------------------------



## ENVIRONMENTAL/OPERATING SPECIFICATION

Flame Resistance	UL94-V2
------------------	---------



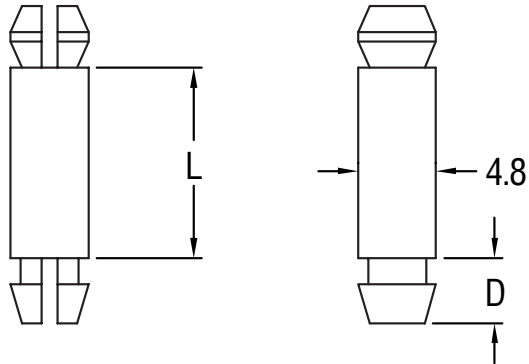
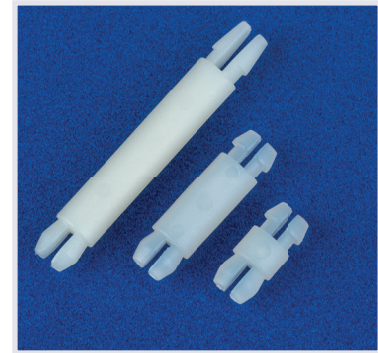
## OPTIONS

Effective height	Other heights available*
* MOQ may apply	



## DIMENSIONS/DRAWINGS

Dimensions	mm
Chassis mounting hole diameter	4mm
Chassis thickness	1.6mm
PCB mounting hole diameter	4mm
PCB thickness	1.6mm



To fit 4.0mm hole  
chassis 1.6mm



## PART NUMBER TABLE

Part Number Units	Body Length (L) mm	Chassis mount depth (D) mm	Overall length mm	Pack quantity (pieces)	Weight (per piece) g	EAN	UNSPSC	Country of origin
<b>52-4355</b>	3.2	3.8	10.8	100	0.162	5053556004508	31161816	Taiwan
<b>52-4356</b>	6.3	3.8	13.9	100	0.226	5053556004515	31161816	Taiwan
<b>52-4357</b>	10.5	3.8	18.1	100	0.162	5053556004522	31161816	Taiwan
<b>52-4358</b>	15.9	5.6	27.1	100	0.162	5053556004539	31161816	Taiwan
<b>52-4359</b>	22.2	5.6	33.4	100	0.162	5053556004546	31161816	Taiwan

# R-TECH

Tried & trusted technology

**Important Notice:** This data sheet and its contents (the "Information") belong to Rapid Electronics Limited or are licensed to it. No licence is granted for the use of it other than for information purposes in connection with the products to which it relates. No licence of any intellectual property rights is granted. The Information is subject to change without notice and replaces all data sheets previously supplied. The Information supplied is believed to be accurate but Rapid Electronics Limited assumes no responsibility for its accuracy or completeness, any error in or omission from it or for any use made of it. Users of this data sheet should check for themselves the Information and the suitability of the products for their purpose and not make any assumptions based on information included or omitted. Liability for loss or damage resulting from any reliance on the Information or use of it (including liability resulting from negligence or where Rapid Electronics Limited were aware of the possibility of such loss or damage arising) is excluded. This will not operate to limit or restrict Rapid Electronics Limited's liability for death or personal injury resulting from its negligence.