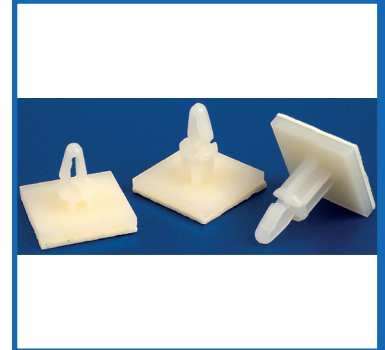


## Self-Adhesive Nylon PCB Pillars



### DESCRIPTION

Self-adhesive PCB pillars in natural coloured Nylon 66, ideal for mounting PCBs on to a chassis without drilling.

### DISTINCTIVE FEATURES

- Self-adhesive on chassis
- Snap-fit on PCB

### APPLICATIONS

Mounting printed circuit boards or other panels on to a chassis. Ideal for applications where drilling a hole is undesirable and non-conductive, lightweight parts are required.

Nylon

Snap-fit

UL94-V2

Self-adhesive





## GENERAL SPECIFICATION

Series	Nylon PCB Supports
Type	Standard PCB pillars



## MATERIALS

Material	UL approved Nylon 66, 94-V2
----------	-----------------------------



## ENVIRONMENTAL/OPERATING SPECIFICATION

Flame Resistance	UL94-V2
------------------	---------



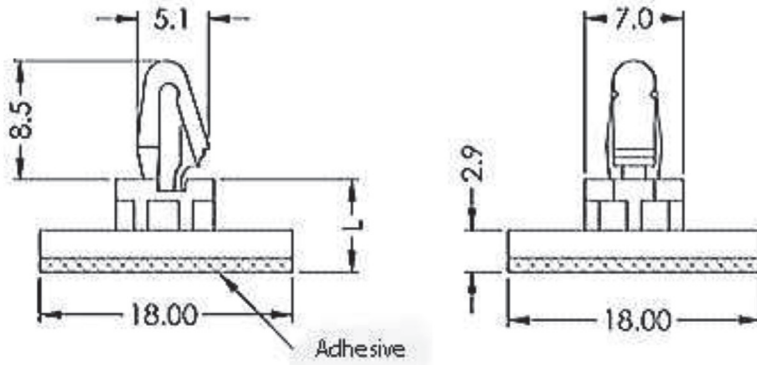
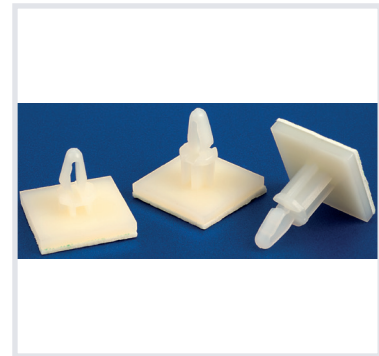
## OPTIONS

Effective height	Other heights available*
* MOQ may apply	



## DIMENSIONS/DRAWINGS

Dimensions	mm
PCB mounting hole diameter	4mm
Self-adhesive base	18 x 18mm



## PART NUMBER TABLE

Part Number	Effective height (L) mm	Overall length mm	Pack quantity (pieces)	Weight (per piece) g	EAN	UNSPSC	Country of origin
52-4362	5.5	14	50	1.24	5053556004577	31161816	Taiwan
52-4363	9.6	18.1	50	1.28	5053556004584	31161816	Taiwan
52-4364	12.8	21.3	50	1.4	5053556004591	31161816	Taiwan

# R-TECH

Tried & trusted technology

**Important Notice:** This data sheet and its contents (the "Information") belong to Rapid Electronics Limited or are licensed to it. No licence is granted for the use of it other than for information purposes in connection with the products to which it relates. No licence of any intellectual property rights is granted. The Information is subject to change without notice and replaces all data sheets previously supplied. The Information supplied is believed to be accurate but Rapid Electronics Limited assumes no responsibility for its accuracy or completeness, any error in or omission from it or for any use made of it. Users of this data sheet should check for themselves the Information and the suitability of the products for their purpose and not make any assumptions based on information included or omitted. Liability for loss or damage resulting from any reliance on the Information or use of it (including liability resulting from negligence or where Rapid Electronics Limited were aware of the possibility of such loss or damage arising) is excluded. This will not operate to limit or restrict Rapid Electronics Limited's liability for death or personal injury resulting from its negligence.