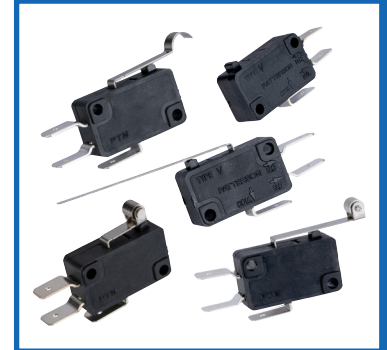


## 15A Standard Size Microswitches



### DESCRIPTION

A range of standard size 15A microswitches offering a variety of actuator options.

### DISTINCTIVE FEATURES

- High quality standard sized microswitch
- Various actuator styles
- 250V AC contact voltage
- 15A contact current
- SPDT
- NO and NC contacts
- Quick Connect tab connectors: connection can be made by a 6.35mm (1/4in.) Faston-type connector or by soldering

### APPLICATIONS

Suitable for a wide range of industrial applications including limit switching, interlocks and mains voltage switching.

15A

250V  
AC

NO-NC



## ELECTRICAL SPECIFICATION

AC Current Rating	15A AC	
AC Voltage Rating	250V AC	
Contact Rating	250V 15A AC resistive load	
Dielectric Strength	between contacts	1000V AC, 50/60Hz for 60s
	between terminal and ground	1500V AC, 50/60Hz for 60s

Switching Specification	Non-Inductive Load (A)				Inductive Load (A)				Inrush Current (Max)
	Resistance Load		Lamp Load		Inductive Load		Motor Load		
Voltage	NC	NO	NC	NO	NC	NO	NC	NO	36A
125VAC	15		3		10		4		
250VAC	15		2		10		3		
8VDC	15		4		10		6		
14VDC	15		4		10		6		
30VDC	10		4		10		4		
125VDC	0.6		0.1		0.6		0.1		
250VDC	0.3		0.05		0.3		0.05		



## GENERAL SPECIFICATION

Type	Standard Size Microswitch (V15)
Operation	Single Action, Momentary
Contacts	SPDT
Operating force (max)	See part number table, page 6
Release Force	
Pre Travel	
Differential Movement	
Mechanical Life	5,000,000 Operations (min)
Electrical Life (@ Rated Load)	500,000 Operations (min @ rated load)



## MATERIALS

Housing	PA 6 UL94-V0
Button	Phenolic resin
Actuator Lever	Stainless Steel
Switch Contacts	Silver
Terminals	Brass



## ENVIRONMENTAL/OPERATING SPECIFICATION

Operating Temperature	-25°C~+85°C
Humidity	Under 50% RH Max
Vibration (malfunction)	10 to 55 Hz, 1.5mm double amplitude
Shock - Mechanical	1000 m/s (approx 100G)
Shock - Malfunction	300 m/s (approx 30G)



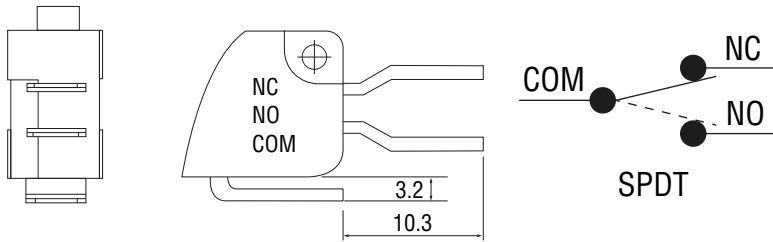
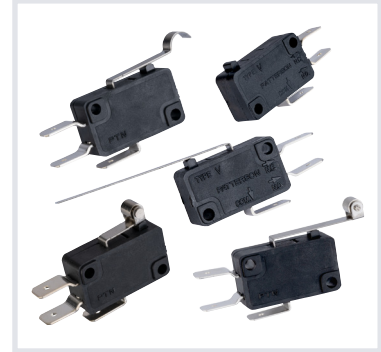
## TERMINALS

Type	Quick Connect Tab
Width	6.35mm (1/4in.)
Depth (Thickness)	0.8mm

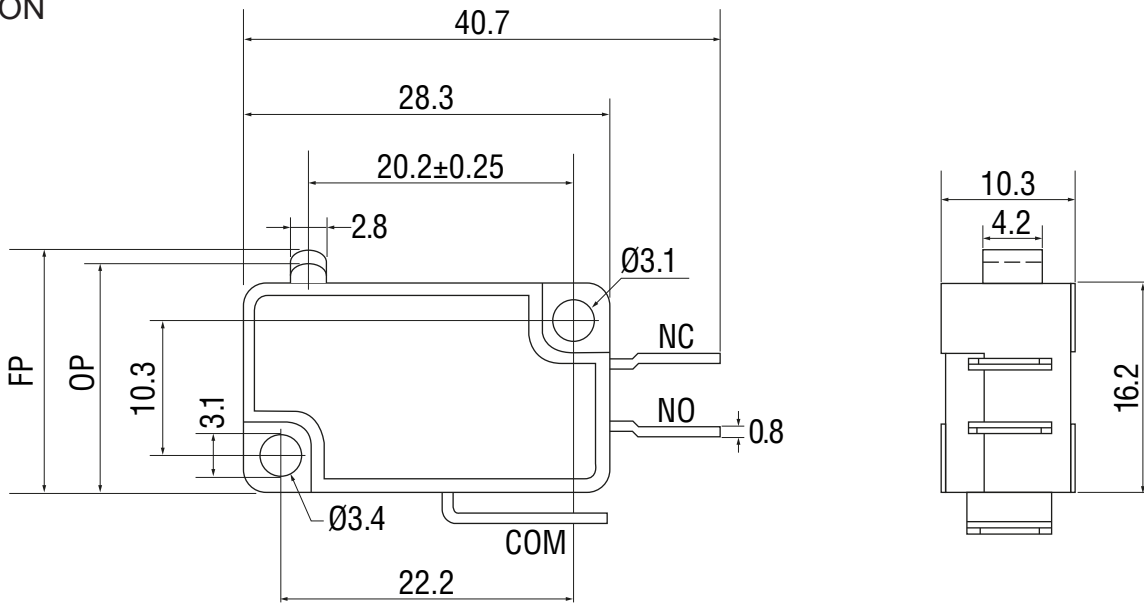


## DIMENSIONS/DRAWINGS

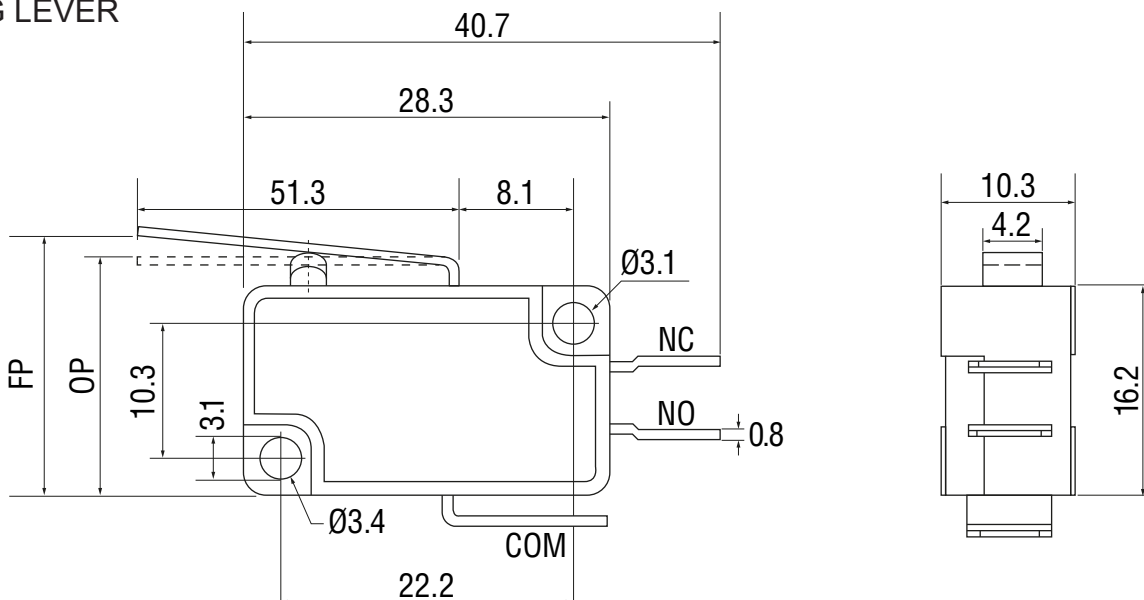
Units	mm - unless stated otherwise
Dimensions	28.3 x 16.20 x 10.3
Weight	See part number table page 6



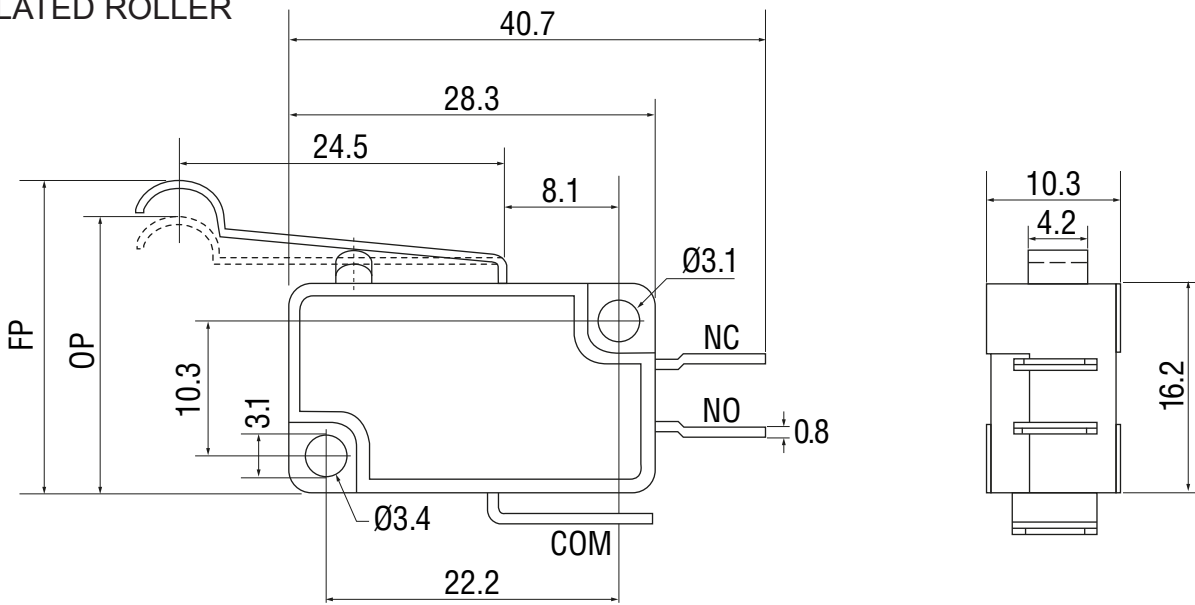
### BUTTON



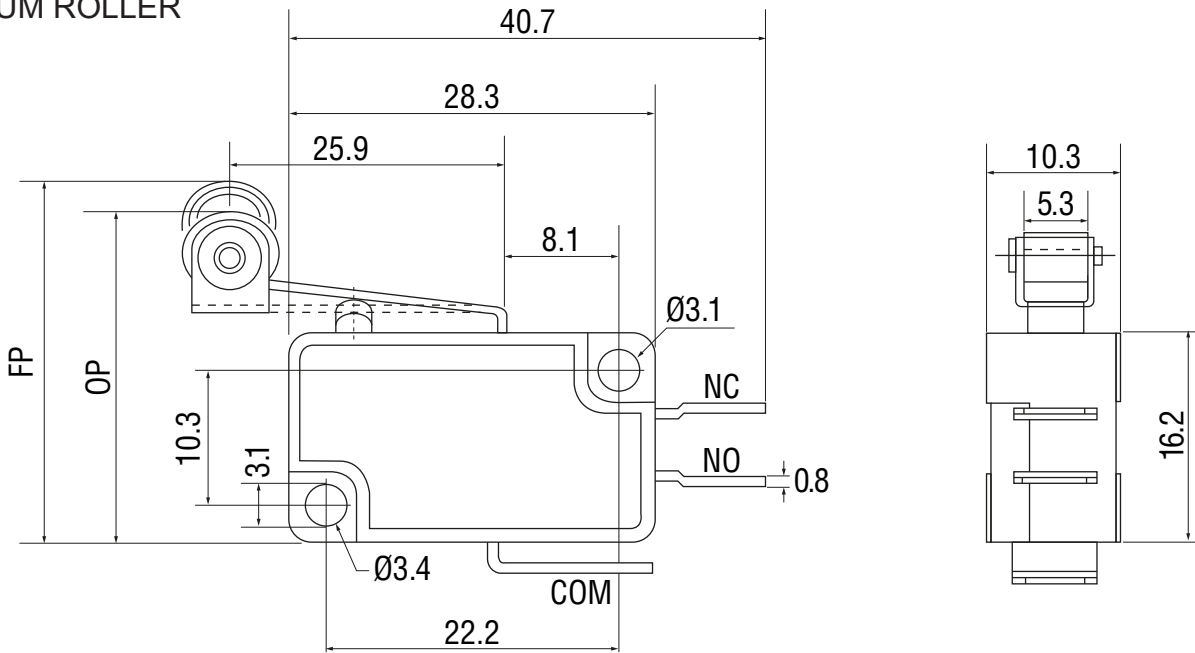
### LONG LEVER



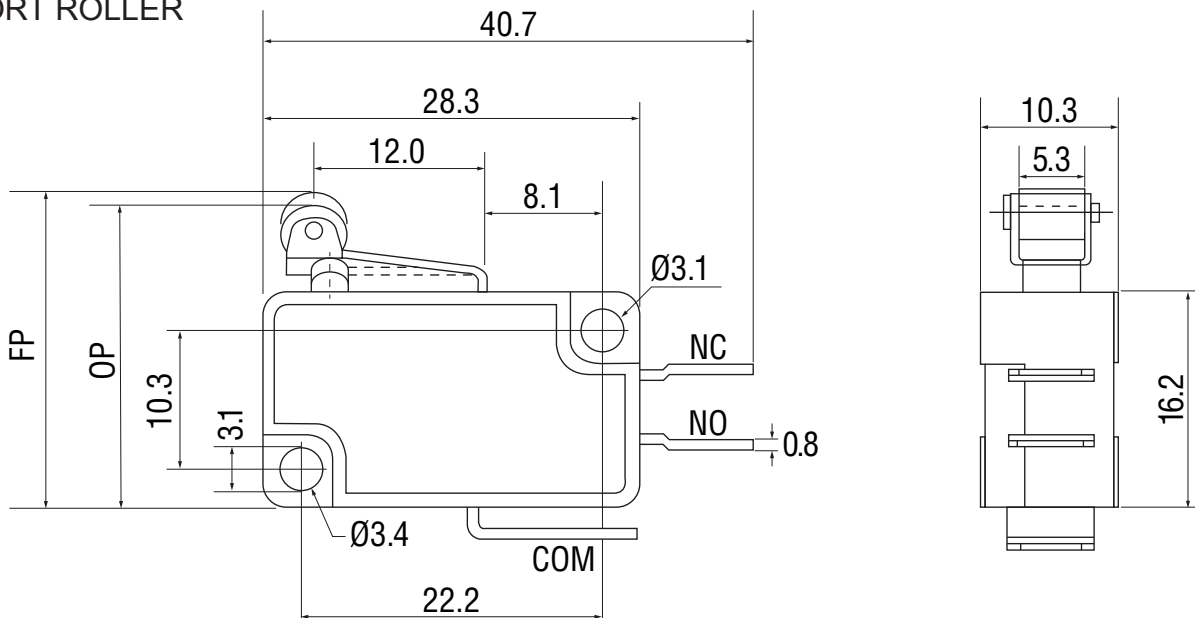
### SIMULATED ROLLER



### MEDIUM ROLLER



### SHORT ROLLER





## OPTIONS (MOQ may apply)

Heat Resistant	-25°C ~ 180°C
Terminals	Quick Connect Tab, 6.35mm (1/4in.) connector or solder
Actuator	Lever Length
Contacts	NO or NC type



## PART NUMBER TABLE

Part Number	Actuator	Operating Force (max) (g)	Release Force (g)	Pretravel (mm)	Differential Movement (mm)	Free Position (FP) max	Operating Position (OP)	Weight (g)
<b>52-4537</b>	Button	160	28	1.2	0.15-0.4	15.9	14.7+ 0.4mm	6.1
<b>52-4538</b>	Long Lever	60	7	7.6	2.2	22.8	15.2+2.6mm	7
<b>52-4539</b>	Simulated roller	100	10	2.5	1.2	20.7	18.2+1.2mm	7
<b>52-4540</b>	Medium Roller	100	10	3.3	1.2	24.0	20.7+ 1.2mm	7.7
<b>52-4541</b>	Short Roller	160	17	1.5	0.5	22.2	20.7+ 0.6mm	7.1

Part Number	EAN	UNSPSC	Country of origin
<b>52-4537</b>	5053556004928	39122243	Taiwan
<b>52-4538</b>	5053556004935	39122243	Taiwan
<b>52-4539</b>	5053556004942	39122243	Taiwan
<b>52-4540</b>	5053556004959	39122243	Taiwan
<b>52-4541</b>	5053556004966	39122243	Taiwan



Tried & trusted technology

**Important Notice:** This data sheet and its contents (the "Information") belong to Rapid Electronics Limited or are licensed to it. No licence is granted for the use of it other than for information purposes in connection with the products to which it relates. No licence of any intellectual property rights is granted. The Information is subject to change without notice and replaces all data sheets previously supplied. The Information supplied is believed to be accurate but Rapid Electronics Limited assumes no responsibility for its accuracy or completeness, any error in or omission from it or for any use made of it. Users of this data sheet should check for themselves the Information and the suitability of the products for their purpose and not make any assumptions based on information included or omitted. Liability for loss or damage resulting from any reliance on the Information or use of it (including liability resulting from negligence or where Rapid Electronics Limited were aware of the possibility of such loss or damage arising) is excluded. This will not operate to limit or restrict Rapid Electronics Limited's liability for death or personal injury resulting from its negligence.