

19mm IP67 Vandal Resistant Push Button Switch Blue LED Ring Latching



DESCRIPTION

A stainless steel bodied tamper-proof switch designed to be resistant to accidental damage and attack by vandals.

The switch features a blue LED illuminating ring that can be controlled by the switch or by external circuitry.

DISTINCTIVE FEATURES

- IP67 Rated
- Max. switching current 5A AC
- Switching voltage 250V AC
- Blue LED ring
- Latching operation
- LED not polarity sensitive
- Diameter 22mm
- Mounting diameter 19mm
- Built-in LED resistor
- Separate LED connections

APPLICATIONS

Perfect for harsh use in potentially hostile settings such as public areas, industrial environments and building management applications. Suitable for installation in kiosks, lifts, pedestrian crossings and ticket machines. Provides a solution for requirements in extreme temperatures, dust, rain, snow, ice, dirt and moisture.

5A
AC

250V
AC

Ø
19mm

Latching

Illuminated
Ring

Blue
LED



ELECTRICAL SPECIFICATION

Switching AC Current Rating	5A																																												
Switching AC Voltage Rating	250V																																												
Switch Rating																																													
<table border="1"> <thead> <tr> <th colspan="3">Rated Insulation Voltage U_i</th> <th colspan="4">250V</th> </tr> <tr> <th colspan="3">Thermal Current I_{th}</th> <th colspan="4">5A</th> </tr> <tr> <th colspan="3">Rated voltage</th> <th>12V</th> <th>24V</th> <th>110V</th> <th>220V</th> </tr> </thead> <tbody> <tr> <td rowspan="4">Rated Operation Current</td> <td rowspan="2">AC 50/60Hz</td> <td>Resistive load</td> <td>—</td> <td>—</td> <td>1A</td> <td>0.5A</td> </tr> <tr> <td>Inductive load</td> <td>—</td> <td>—</td> <td>0.7A</td> <td>0.5A</td> </tr> <tr> <td rowspan="2">DC</td> <td>Resistive load</td> <td>1A</td> <td>1A</td> <td>0.2A</td> <td>—</td> </tr> <tr> <td>Inductive load</td> <td>0.7A</td> <td>0.7A</td> <td>0.1A</td> <td>—</td> </tr> </tbody> </table>		Rated Insulation Voltage U_i			250V				Thermal Current I_{th}			5A				Rated voltage			12V	24V	110V	220V	Rated Operation Current	AC 50/60Hz	Resistive load	—	—	1A	0.5A	Inductive load	—	—	0.7A	0.5A	DC	Resistive load	1A	1A	0.2A	—	Inductive load	0.7A	0.7A	0.1A	—
Rated Insulation Voltage U_i			250V																																										
Thermal Current I_{th}			5A																																										
Rated voltage			12V	24V	110V	220V																																							
Rated Operation Current	AC 50/60Hz	Resistive load	—	—	1A	0.5A																																							
		Inductive load	—	—	0.7A	0.5A																																							
	DC	Resistive load	1A	1A	0.2A	—																																							
		Inductive load	0.7A	0.7A	0.1A	—																																							
Contact Resistance	$\leq 50m\Omega$																																												
Insulation Resistance	$\geq 1000M\Omega$																																												
Dielectric Strength	2000V AC																																												
LED Voltage	12V AC/DC *																																												
LED Current	15mA approx.																																												
Withstand Voltage max.	2000V AC 50Hz 60s																																												

*Note: There are protective resistor in the lamp



GENERAL SPECIFICATION

Size	Ø 19mm
Type	Vandal resistant push button switch
Button Style	Flat circular
Illumination Style	Ring
LED Colour	Blue
Operation	Latching
Contacts	SPDT
Operating force (max)	3 to 5N
Mechanical Life	1,000,000 Cycles
Electrical Life (@ Rated Load)	50,000 Cycles
LED Life	40,000 Hours
Panel Thickness	1 to 8mm
Panel Cutout	19mm
Torque	0.8Nm



MATERIALS

Housing	Stainless Steel
Button	Stainless Steel
Base	PBT
Contact	Silver Alloy



ENVIRONMENTAL/OPERATING SPECIFICATION

Operating Temperature	-25°C to +55°C
Operating Humidity	45 to 85% RH(Non condensing)
IP Rating	IP67 *
Soldering	320°C (or 30W soldering iron) no more than 2s
Vibration Resistance	50Hz, amplitude about 1.2mm
Shock Resistance	>10g

* IP67 is for enclosure only



TERMINALS

Type	Solder Tags 2.8 x 0.5mm
------	-------------------------



OPTIONS

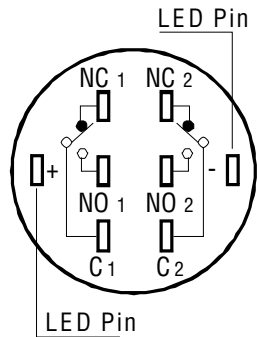
Custom LED voltages	e.g. 6, 12, 24, 110, 220V AC/DC
Illumination Type	e.g. dot, ring, tricolour dot/ring
LED Colours	e.g. Blue, green, red, white, yellow orange
Body Material	Stainless steel, aluminium alloy (black), aluminium alloy (white), nickel-plated brass
Protection	e.g. IP65, IP67



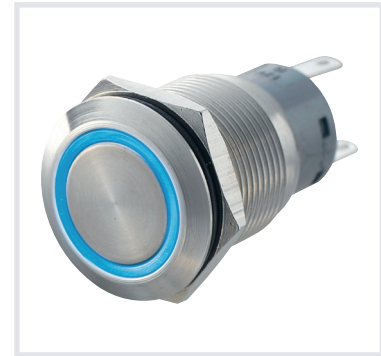
DIMENSIONS/DRAWINGS

Dimensions	mm
Panel Thickness	1 to 10mm

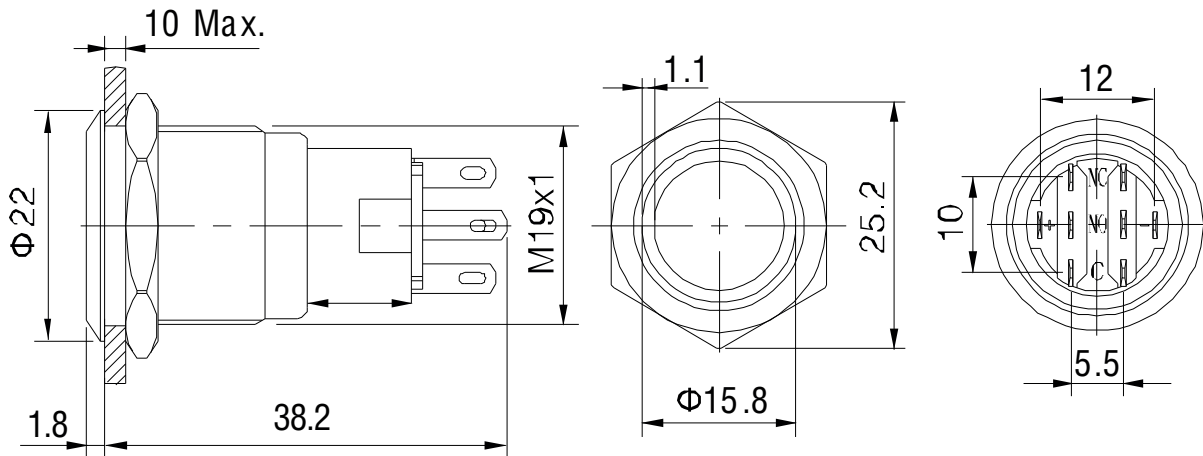
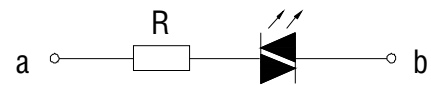
Terminal Description



Two sets at most C1NO1NC1 and C2NO2NC2 are one set respectively. C is common used, NO is normal opened, NC is normal closed; +- are lamp terminals, the standard LED have no difference of anode and cathode; Lamp and switch are relatively independent and can use switch or peripheral circuit to control the lamp state.



LED Schematic



Top View

Terminal Arrangement



PART NUMBER TABLE

Part Number	EAN	UNSPSC	Country of origin
52-4587	5053556005994	39122244	China

R-TECH

Tried & trusted technology

Important Notice: This data sheet and its contents (the "Information") belong to Rapid Electronics Limited or are licensed to it. No licence is granted for the use of it other than for information purposes in connection with the products to which it relates. No licence of any intellectual property rights is granted. The Information is subject to change without notice and replaces all data sheets previously supplied. The Information supplied is believed to be accurate but Rapid Electronics Limited assumes no responsibility for its accuracy or completeness, any error in or omission from it or for any use made of it. Users of this data sheet should check for themselves the Information and the suitability of the products for their purpose and not make any assumptions based on information included or omitted. Liability for loss or damage resulting from any reliance on the Information or use of it (including liability resulting from negligence or where Rapid Electronics Limited were aware of the possibility of such loss or damage arising) is excluded. This will not operate to limit or restrict Rapid Electronics Limited's liability for death or personal injury resulting from its negligence.