

## 19mm IP65 Vandal Resistant Push Button Switch RGB LED Ring



### DESCRIPTION

A stainless steel bodied tamper-proof switch designed to be resistant to accidental damage and attack by vandals.

The switch features a red, green or blue LED illuminating ring that can be addressed individually.

### DISTINCTIVE FEATURES

- IP65 Rated
- Max. switching current 5A AC
- Switching voltage 250V AC
- RGB LED ring
- Momentary operation
- Diameter 22mm
- Mounting diameter 19mm
- Built-in LED resistors
- Separate LED connections

### APPLICATIONS

Perfect for harsh use in potentially hostile settings such as public areas, industrial environments and building management applications. Suitable for installation in kiosks, lifts, pedestrian crossings and ticket machines. Provides a solution for requirements in extreme temperatures, dust, rain, snow, ice, dirt and moisture.

5A  
AC

220V  
AC

Ø  
19mm

Mom

Illuminated  
Ring

RGB  
LEDs





## ELECTRICAL SPECIFICATION

Switching AC Current Rating	5A																																												
Switching AC Voltage Rating	250V																																												
Switch Rating																																													
<table border="1"> <thead> <tr> <th colspan="3">Rated Insulation Voltage <math>U_i</math></th> <th colspan="4">250V</th> </tr> <tr> <th colspan="3">Thermal Current <math>I_{th}</math></th> <th colspan="4">5A</th> </tr> <tr> <th colspan="3">Rated voltage</th> <th>12V</th> <th>24V</th> <th>110V</th> <th>220V</th> </tr> </thead> <tbody> <tr> <td rowspan="4">Rated Operation Current</td> <td rowspan="2">AC 50/60Hz</td> <td>Resistive load</td> <td>—</td> <td>—</td> <td>1A</td> <td>0.5A</td> </tr> <tr> <td>Inductive load</td> <td>—</td> <td>—</td> <td>0.7A</td> <td>0.5A</td> </tr> <tr> <td rowspan="2">DC</td> <td>Resistive load</td> <td>1A</td> <td>1A</td> <td>0.2A</td> <td>—</td> </tr> <tr> <td>Inductive load</td> <td>0.7A</td> <td>0.7A</td> <td>0.1A</td> <td>—</td> </tr> </tbody> </table>		Rated Insulation Voltage $U_i$			250V				Thermal Current $I_{th}$			5A				Rated voltage			12V	24V	110V	220V	Rated Operation Current	AC 50/60Hz	Resistive load	—	—	1A	0.5A	Inductive load	—	—	0.7A	0.5A	DC	Resistive load	1A	1A	0.2A	—	Inductive load	0.7A	0.7A	0.1A	—
Rated Insulation Voltage $U_i$			250V																																										
Thermal Current $I_{th}$			5A																																										
Rated voltage			12V	24V	110V	220V																																							
Rated Operation Current	AC 50/60Hz	Resistive load	—	—	1A	0.5A																																							
		Inductive load	—	—	0.7A	0.5A																																							
	DC	Resistive load	1A	1A	0.2A	—																																							
		Inductive load	0.7A	0.7A	0.1A	—																																							
Contact Resistance	$\leq 50m\Omega$																																												
Insulation Resistance	$\geq 1000M\Omega$																																												
Dielectric Strength	1500V, RMS 50hz, 1 min.																																												
LED Voltage	See table																																												
LED Current	15mA approx.																																												
Withstand Voltage max.	2000V AC 50Hz 60s																																												

\*Note: There are protective resistor in the lamp



## GENERAL SPECIFICATION

Size	$\varnothing 19mm$
Type	Vandal resistant push button switch
Button Style	Flat circular
Illumination Style	Ring
LED Colour	RGB
Operation	Momentary
Contacts	SPDT
Operating force (max)	3 to 5N
Mechanical Life	1,000,000 Cycles
Electrical Life (@ Rated Load)	50,000 Cycles
LED Life	40,000 Hours
Panel Thickness	1 to 10mm
Panel Cutout	19mm $\varnothing$
Torque	0.8Nm



## MATERIALS

Housing	Stainless Steel
Button	Stainless Steel
Base	PA
Contact	Silver Alloy



## ENVIRONMENTAL/OPERATING SPECIFICATION

Operating Temperature	-25°C to +55°C
Operating Humidity	45 to 85% RH(Non condensing )
IP Rating	IP65 *
Soldering	320°C (or 30W soldering iron) no more than 2s
Vibration Resistance	50Hz, amplitude about 1.2mm
Shock Resistance	>10g

\* IP65 is front of panel only



## TERMINALS

Type	Solder Tags 2.8 x 0.5mm
------	-------------------------



## OPTIONS

Custom LED voltages	e.g. 6, 12, 24, 110, 220V AC/DC
Illumination Type	e.g. dot, ring, tricolour dot/ring
LED Colours	e.g. Blue, green, red, white, yellow orange
Body Material	Stainless steel, aluminium alloy (black), aluminium alloy (white), nickel-plated brass
Protection	e.g. IP67

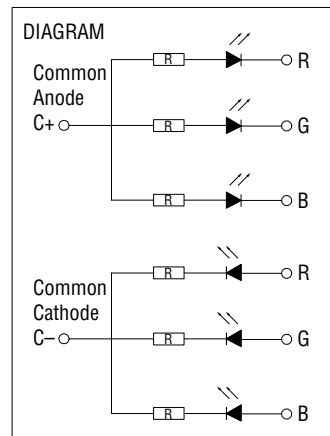
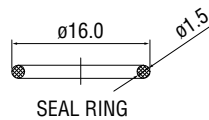
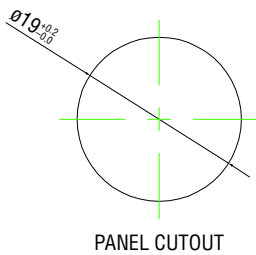
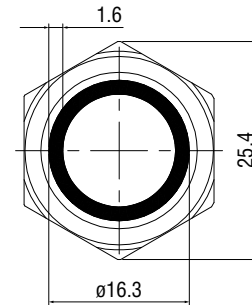
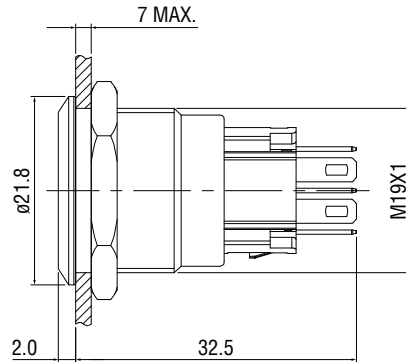
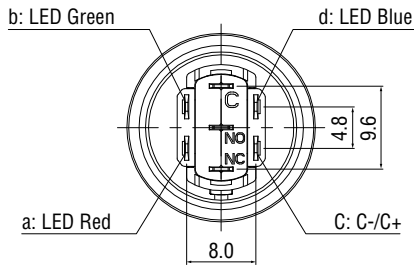


## DIMENSIONS/DRAWINGS

Dimensions	mm
Panel Thickness	1 to 10mm



THE SHADED PART IS ILLUMINATED



## PART NUMBER TABLE

Part Number	LED Voltage	Common	EAN	UNSPSC	Country of origin
52-4615	24V	Cathode	5053556019014	39122244	China

For further information on pricing, delivery, and long-term stock agreements please get in touch with your local business development contact, telephone our main office on **01206 838000** or email **Sales@Rapidonline.com**.

# R-TECH

Tried & trusted technology

**Important Notice:** This data sheet and its contents (the "Information") belong to Rapid Electronics Limited or are licensed to it. No licence is granted for the use of it other than for information purposes in connection with the products to which it relates. No licence of any intellectual property rights is granted. The Information is subject to change without notice and replaces all data sheets previously supplied. The Information supplied is believed to be accurate but Rapid Electronics Limited assumes no responsibility for its accuracy or completeness, any error in or omission from it or for any use made of it. Users of this data sheet should check for themselves the Information and the suitability of the products for their purpose and not make any assumptions based on information included or omitted. Liability for loss or damage resulting from any reliance on the Information or use of it (including liability resulting from negligence or where Rapid Electronics Limited were aware of the possibility of such loss or damage arising) is excluded. This will not operate to limit or restrict Rapid Electronics Limited's liability for death or personal injury resulting from its negligence.