

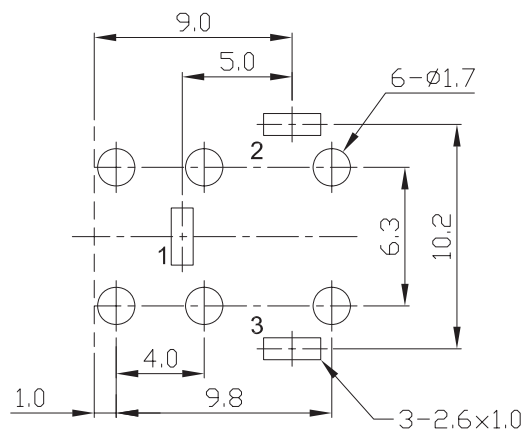
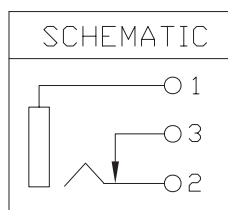
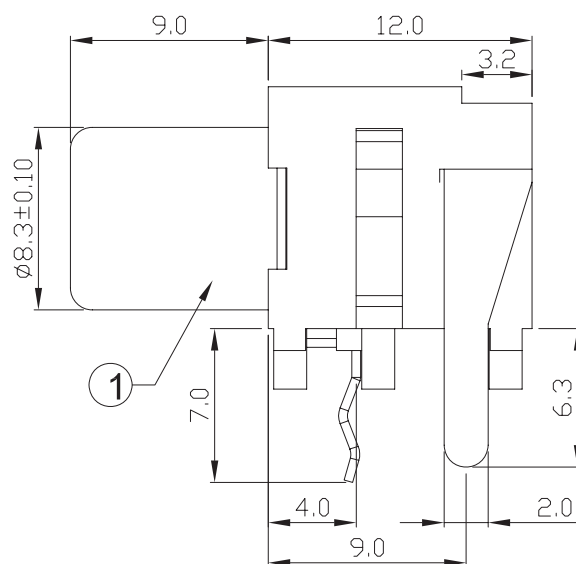
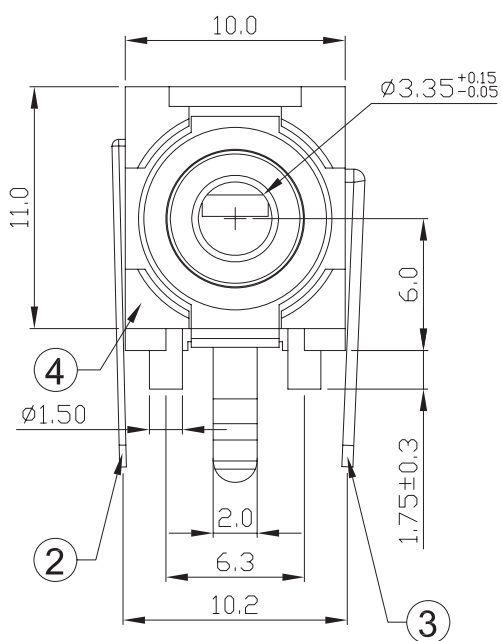
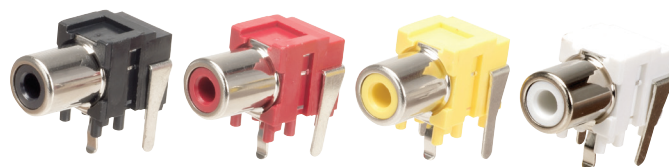
LP-0841-3B-05A

PCB Mounted

Black Phono Socket

Black: **20-1212**
 White: **20-1214**
 Red: **20-1213**
 Yellow: **20-1216**

No	Part Name	Qty.	Material	Plated
1	Barrel	1	Brass	Nickel
2	Spring Terminal	1	Brass	Tin
3	Terminal	1	P.B.S	Tin
4	Housing	1	PBT	



PCB LAYOUT
(BOTTOM VIEW)