

8796 LC Zyklop "flexible-lock" extension with free-turning sleeve, long, 1/2", 1/2
inch x 250.0 mm
The Zyklop Ratchets, 1/2"



EAN/GTIN:	4013288121462	Dimension:	315x44x25 mm
Part no.:	05003643001	Weight:	427 g
Article no.:	8796 LC	Country of origin:	CZ
		Customs tariff number:	82042000

- 1/2" Zyklop "flexible-lock" extension with free-turning sleeve, long
- For 1/2" square sockets with ball lock
- Flexible lock system for either locking or rapid exchange of the attached tool
- With free-turning sleeve for rapid tightening and loosening of screws and nuts
- Chrome vanadium steel, matt chrome-plated

Wera Zyklop extension with flexible-lock: when activated the sockets are secured and permanently fixed, any unintentional loss being avoided. When the system is deactivated, the sockets can be quickly attached and exchanged. Equipped with a free-turning sleeve for faster turning of screws and nuts.

Weblink

http://products.wera.de/en/tools_for_the_aerospace_segment_ratchets_the_zyklop_ratchets_1_2_8796_lc.html

Wera - 8796 LC
05003643001 - 4013288121462

Wera Werkzeuge GmbH
Korzter Straße 21-25
D-42349 Wuppertal
Tel: +49 (0)2 02 / 40 45-0
E-Mail: info@wera.de

Zyklop Accessories

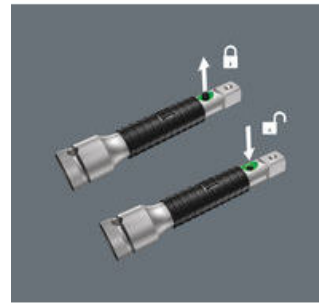


With easy-to-grip free-turning sleeve for rapid tightening and loosening of screws and nuts



We did not just want our creativity to end with the ratchets themselves so we also occupied ourselves intensively with ratchet accessories. That is why our users are now provided with an extension with freely spinning sleeve and flexible lock to enable more secure and more rapid screwdriving. The sockets have been completely redesigned: we wanted to spare the user the need of having two different series – one for manual and the other for power tool applications. And: we wanted to enormously simplify the task of finding the right sizes. Technically, our own ambitious goals represented a real challenge: to endow sockets with the advantage of the holding function on screwdrivers and bits. We succeeded in this!

Flexible-lock-system



The extensions from the premium lines are also equipped with the unique "flexible-lock-system". By activating this system, attachments can be fixed to the extension permanently – preventing slipping and any unintentional loss of the attachment. When the system is deactivated, the sockets can be attached as usual and changed in a flash.

Free-turning sleeve



The free-turning sleeve on the Zyklop Speed and the Zyklop extension effectively accelerates the turning of screws and nuts.

More variants of this product family:



mm

05003643001

1/2"

250.0

Weblink

http://products.wera.de/en/tools_for_the_aerospace_segment_ratchets_the_zyklop_ratchets_1_2_8796_lc.html

Wera - 8796 LC
05003643001 - 4013288121462

Wera Werkzeuge GmbH
Korzter Straße 21-25
D-42349 Wuppertal
Tel: +49 (0)2 02 / 40 45-0
E-Mail: info@wera.de