

# 3350 PH Screwdriver for Phillips screws, stainless, PH 1 x 80 mm

## Series Kraftform Screwdrivers Stainless Steel



**EAN/GTIN:** 4013288107404  
**Part no.:** 05032021001  
**Article no.:** 3350 PH

**Dimension:** 178x33x33 mm  
**Weight:** 45 g  
**Country of origin:** CZ  
**Customs tariff number:** 82054000



- Stainless screwdriver for cross-recess screws, Phillips
- Multi-component Kraftform handle for fast and ergonomic screwdriving
- "Take it easy" Tool Finder: colour coding according to profile and size
- Hexagonal anti-roll feature against rolling away
- Lasertip tip, stainless to prevent extraneous rust

High quality Kraftform Plus screwdriver out of stainless steel. The stainless tools from Wera are vacuum ice-hardened and have the hardness and strength needed for screw connections. They can be used for industrial application without hesitation. The Lasertip tip literally bites into the head of the screw and thereby prevents any slipping out of the screw head. Multi-component Kraftform handle for fast and low-fatigue working. "Take it easy" Tool Finder: colour coding according to profile and size. The hexagonal anti-roll feature prevents any bothersome rolling away at the workplace.

### Weblink

[http://products.wera.de/en/screwdrivers\\_series\\_kraftform\\_screwdrivers\\_stainless\\_steel\\_3350\\_ph.html](http://products.wera.de/en/screwdrivers_series_kraftform_screwdrivers_stainless_steel_3350_ph.html)

Wera - 3350 PH  
05032021001 - 4013288107404

Wera Werkzeuge GmbH  
Korzter Straße 21-25  
D-42349 Wuppertal  
Tel: +49 (0)2 02 / 40 45-0  
E-Mail: [info@wera.de](mailto:info@wera.de)

**Screw stainless steel together with stainless steel!**



Screw stainless steel together with stainless steel!



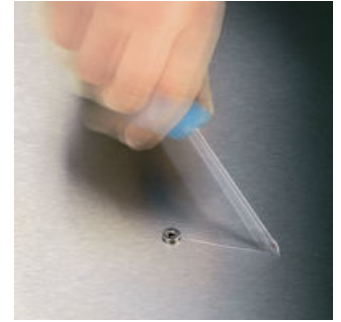
Solution to the rust problem: screw stainless steel together with stainless steel! Wera stainless steel tools are manufactured out of stainless steel so unsightly rust can be avoided.

**Vacuum ice-hardened**



The stainless steel tools from Wera are vacuum ice-hardened and have the hardness and strength needed for screw connections. There are no limitations to the industrial applications they are suitable for.

**Lasertip prevents slipping out**



It happens time and time again that the tip slips out of the screw head when screwdriving, sometimes damaging valuable surfaces or even causing injury. The tips of the Wera Lasertip screwdrivers are microscopically roughened by means of a laser. This rough surface literally "bites" itself firmly into the screw head. Slipping out becomes a thing of the past.

**Weblink**

[http://products.wera.de/en/screwdrivers\\_series\\_kraftform\\_screwdrivers\\_stainless\\_steel\\_3350\\_ph.html](http://products.wera.de/en/screwdrivers_series_kraftform_screwdrivers_stainless_steel_3350_ph.html)

Wera - 3350 PH  
05032021001 - 4013288107404

Wera Werkzeuge GmbH  
Korzter Straße 21-25  
D-42349 Wuppertal  
Tel: +49 (0)2 02 / 40 45-0  
E-Mail: [info@wera.de](mailto:info@wera.de)

Series Kraftform Screwdrivers Stainless Steel

Lasertip



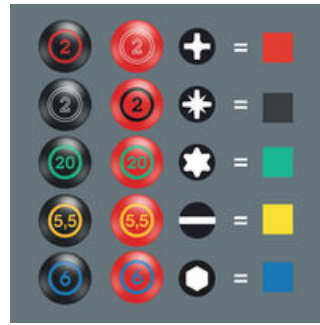
A precisely-focused laser creates a sharp-edged surface structure. This laser treatment results in an edge hardness of up to 1000 HV 0.3. Wera Lasertip “bites” itself into the screw head and prevents any slips out of the recess. It is available for screwdrivers for slotted, Phillips and Pozidriv screws.

Reduced contact pressure



Wera Lasertip reduces the contact pressure required and enhances force transfer – meaning less screwdriving effort is required. Screwdriving becomes safer and easier.

“Take it easy” Toolfinder








Screwdrivers with “Take it easy” tool finder: colour coding according to profile and size stamp.

Kraftform



The basic idea for the prototype of the Kraftform handle – that the hand should dictate the design – has, right through to today, proved to be correct. In cooperation with the internationally recognised Fraunhofer IAO Institute, Wera developed a screwdriver handle designed to match the shape of the human hand as long ago as the 1960s. After a long development phase, the Wera Kraftform handle was launched to the market in 1968. It has been optimised through the years with new technologies, but has kept its proven shape. After all, the human hand has not changed either.

More variants of this product family:

					
		mm	mm	mm	inch
05032020001 <sup>1),1),1)</sup>	PH 0	60	81	3.0	2 3/8
<b>05032021001<sup>1)</sup></b>	<b>PH 1</b>	<b>80</b>	<b>98</b>	<b>4.5</b>	<b>3 1/8</b>
05032022001 <sup>1)</sup>	PH 2	100	105	6.0	4
05032023001	PH 3	150	112	8.0	6

1) without Lasertip

Weblink

[http://products.wera.de/en/screwdrivers\\_series\\_kraftform\\_screwdrivers\\_stainless\\_steel\\_3350\\_ph.html](http://products.wera.de/en/screwdrivers_series_kraftform_screwdrivers_stainless_steel_3350_ph.html)

Wera - 3350 PH  
05032021001 - 4013288107404

Wera Werkzeuge GmbH  
Korzter Straße 21-25  
D-42349 Wuppertal  
Tel: +49 (0)2 02 / 40 45-0  
E-Mail: info@wera.de