

EAN/GTIN:	4013288117632	Dimension:	75x20x18 mm
Part no.:	05104672001	Weight:	55 g
Article no.:	843	Country of origin:	CN
		Customs tariff number:	82075060

- 9 drill steps increasing by 2 mm
- For material with a maximum thickness of 4.5 mm
- With edge breaker (sheet metal deburrer) at diameter 10
- For 1 mm sheet metal
- 1/4" hexagon suitable for holders as per DIN ISO 1173-D 6.3

High quality stepped drill bit by Wera. 9 drill steps increasing by 2 mm for material with a maximum thickness of 4.5 mm. Comes with edge breaker for 1 mm sheet metal. 1/4" hexagon, suitable for holders as per DIN ISO 1173-D 6.3.

Weblink

http://products.wera.de/en/bits_holders_adaptors_bit_sets_bit_sets_for_special_applications_843.html

Wera - 843

05104672001 - 4013288117632

Wera Werkzeuge GmbH

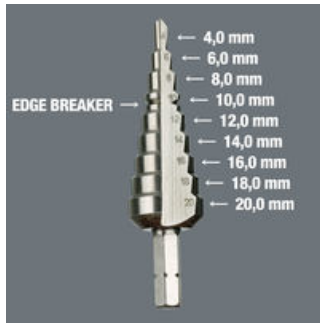
Korzter Straße 21-25

D-42349 Wuppertal

Tel: +49 (0)2 02 / 40 45-0

E-Mail: info@wera.de

Stepped drill bit



9 drill steps increasing by 2 mm for material with a max. thickness of 4.5 mm. With edge breaker (sheet metal countersink) at \varnothing 10 for 1-mm sheet metal

More variants of this product family:



mm

05104672001

75.0

Weblink

http://products.wera.de/en/bits_holders_adaptors_bit_sets_bit_sets_for_special_applications_843.html

Wera - 843

05104672001 - 4013288117632

Wera Werkzeuge GmbH

Korzter Straße 21-25

D-42349 Wuppertal

Tel: +49 (0)2 02 / 40 45-0

E-Mail: info@wera.de