



Snapper Hose Clips for Tubes and Harnesses

• SNP-Series

Features and Benefits

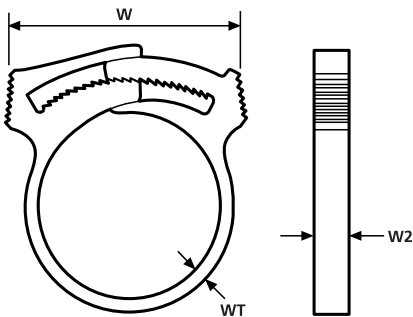
Up to 5 times faster to install than conventional types these releasable and reusable plastic hose clips can be applied with the hose in place, will not rust or corrode and can be opened by a simple lateral movement of the 'head'. Available in both Acetal (POM) and Glass Filled Nylon (PA) to meet high operating temperature requirements.

Application

Replacing metal hose clips the SNP range can be used in industries as diverse as agriculture to medical, to domestic appliances. Suitable for applications with high vibration they can be installed by hand, or with an application tool.



SNP - Snapper Hose Clips range.



SNP - Snapper Hose Clips range

Material Data	
Material	Polyacetal (POM)
Operating Temperature	-40 °C to +85 °C
Flammability	UL94 HB



Application Tool	Registration Numbers
ASNP2-22	1
ASNP24-70	2
MSNP1-70	3

For detailed information on Application Tools please refer to page 578.

Material Data	
Material	Polyamide 6.6 Glassfibre reinforced (PA66GF13%)
Operating Temperature	-30 °C to +105 °C
Flammability	UL94 HB





Snapper Hose Clips for Tubes and Harnesses

• SNP-Series

SNP Snapper are also available on request in material PA66HS and PA46.

Technical Table

Article-No.	Type	Bundle Ø min.	Bundle Ø max.	Width (W) min.	Width (W) max.	Width (W2)	Wall (WT)	Material	Colour	Application Tool
192-10010	SNP1	6.0	6.8	8.4	11.7	3.8	1.0	PA66GF13	Black (BK)	3
190-00029	SNP1.25	7.1	7.7	10.4	12.4	3.8	1.1	PA66GF13	Black (BK)	3
193-00150	SNP1.5	7.8	9.2	13.0	17.0	3.7	1.4	PA66GF15	Black (BK)	3
192-10020	SNP2	9.3	10.5	12.2	17.6	5.9	1.7	PA66GF13	Black (BK)	1, 3
192-10040	SNP4	10.4	11.7	13.3	19.2	5.8	1.7	PA66GF13	Black (BK)	1, 3
192-10060	SNP6	11.7	13.3	14.7	21.6	5.9	1.7	PA66GF13	Black (BK)	1, 3
192-10070	SNP7	11.4	13.7	18.4	28.5	5.9	1.7	PA66GF13	Black (BK)	1, 3
192-10080	SNP8	13.1	15.0	16.7	24.9	5.7	1.7	PA66GF13	Black (BK)	1, 3
192-10100	SNP10	14.5	16.6	17.6	26.9	5.9	1.8	PA66GF13	Black (BK)	1, 3
190-00254	SNP12A	15.9	18.2	20.7	29.8	5.9	1.8	PA66GF13	Black (BK)	1, 3
190-00300	SNP14A	18.5	21.0	20.9	30.1	5.9	1.8	PA66GF13	Black (BK)	1, 3
192-10160	SNP16	19.1	21.7	19.9	30.8	5.8	1.5	PA66GF13	Black (BK)	1, 3
190-00258	SNP18A	20.0	23.1	24.3	36.0	6.1	1.8	PA66GF13	Black (BK)	1, 3
190-00090	SNP19	22.3	25.3	23.0	36.2	5.9	1.8	PA66GF13	Black (BK)	1, 3
192-10220	SNP22	23.7	27.4	23.9	37.7	6.0	1.8	PA66GF13	Black (BK)	1, 3
192-10240	SNP24	25.8	29.2	25.5	39.4	7.4	1.7	PA66GF13	Black (BK)	2, 3
190-00127	SNP28	28.8	33.2	25.9	41.8	7.3	1.7	PA66GF13	Black (BK)	2, 3
192-10320	SNP32	31.2	35.8	27.3	44.4	7.3	1.8	PA66GF13	Black (BK)	2, 3
192-10360	SNP36	37.8	44.0	32.4	53.8	7.3	1.7	PA66GF13	Black (BK)	2, 3
192-10380	SNP38	41.0	48.1	35.6	57.5	7.3	1.8	PA66GF13	Black (BK)	2, 3
191-00005	SNP42N	44.5	52.2	35.1	59.1	9.1	1.7	PA66GF13	Black (BK)	2, 3
192-10500	SNP50	52.2	58.6	36.5	60.4	7.3	1.7	PA66GF13	Black (BK)	2, 3
190-00022	SNP1	6.0	6.5	8.1	11.5	3.8	1.0	POM	Natural (NA)	3
191-10029	SNP2(E)	8.7	10.0	17.0	21.0	6.0	1.5	POM	Natural (NA)	1, 3
191-10039	SNP3(E)	10.0	11.4	19.0	25.0	6.0	1.8	POM	Natural (NA)	1, 3
191-10049	SNP4(E)	10.8	12.3	19.0	23.0	6.0	1.8	POM	Natural (NA)	1, 3
191-10069	SNP6(E)	12.0	13.7	19.0	24.0	6.0	1.8	POM	Natural (NA)	1, 3
191-10089	SNP8(E)	13.7	15.3	19.0	24.0	6.0	1.8	POM	Natural (NA)	1, 3
191-10109	SNP10(E)	15.0	16.8	19.0	24.0	6.0	1.8	POM	Natural (NA)	1, 3
191-10129	SNP12(E)	16.8	18.4	19.0	24.0	6.0	1.8	POM	Natural (NA)	1, 3
191-10149	SNP14(E)	18.1	19.9	19.0	24.0	6.0	1.8	POM	Natural (NA)	1, 3
191-10169	SNP16(E)	19.9	21.7	19.0	24.0	6.0	1.9	POM	Natural (NA)	1, 3
191-10189	SNP18(E)	21.4	23.0	16.0	22.0	6.0	1.9	POM	Natural (NA)	1, 3
191-10209	SNP20(E)	22.7	24.7	20.0	26.0	6.0	1.8	POM	Natural (NA)	1, 3
191-10229	SNP22(E)	25.3	27.3	20.0	26.0	6.0	1.6	POM	Natural (NA)	1, 3
191-10249	SNP24(E)	26.5	28.6	26.5	39.4	7.4	2.5	POM	Natural (NA)	2, 3
191-10329	SNP32(E)	30.3	33.1	27.0	34.0	7.5	2.0	POM	Natural (NA)	2, 3
191-10349	SNP34(E)	32.5	35.1	27.0	34.0	7.5	2.0	POM	Natural (NA)	2, 3
191-10369	SNP36(E)	34.8	37.1	27.0	34.0	7.5	2.0	POM	Natural (NA)	2, 3
191-10389	SNP38(E)	36.7	38.9	27.0	34.0	7.5	2.0	POM	Natural (NA)	2, 3
191-10429	SNP42(E)	41.0	44.2	32.0	45.0	7.5	2.0	POM	Natural (NA)	2, 3
191-10469	SNP46(E)	44.6	47.6	32.0	45.0	7.5	2.0	POM	Natural (NA)	2, 3
191-10509	SNP50(E)	48.8	52.0	32.0	45.0	7.5	2.0	POM	Natural (NA)	2, 3
191-10549	SNP54(E)	52.3	55.7	32.0	45.0	7.5	2.0	POM	Natural (NA)	2, 3
191-10589	SNP58(E)	56.7	59.2	31.0	39.0	7.5	2.0	POM	Natural (NA)	2, 3
191-10629	SNP62(E)	61.1	63.5	31.0	39.0	7.5	2.0	POM	Natural (NA)	2, 3

All dimensions in mm. Subject to technical changes.