



Screw Fixing Mounts

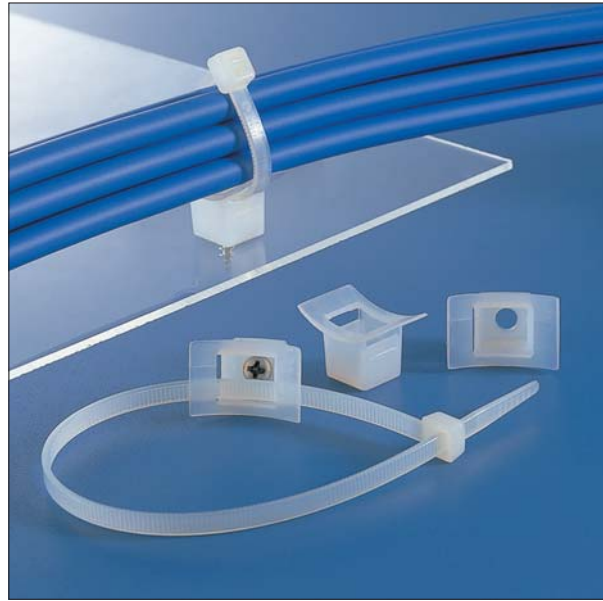
- LKC with overlapping curved design
- NY with curved design

Features and Benefits

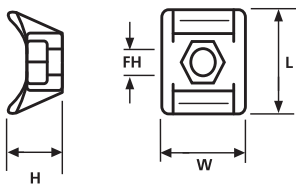
LKC Cable Tie Mounts give additional support to the cable bundles by means of their curved design. Simple to install with a screw or bolt they give excellent security, particularly in areas of high vibration.

Application

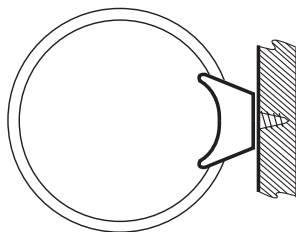
Designed specifically for holding heavier cable bundles these mounting bases can be used in many industries from agriculture to truck manufacture. They offer a very secure fixing and can be used with a wide variety of heavy duty cable ties up to 13mm wide.



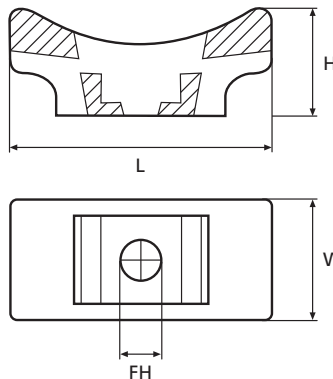
Cable Tie Mounts LKC Series.



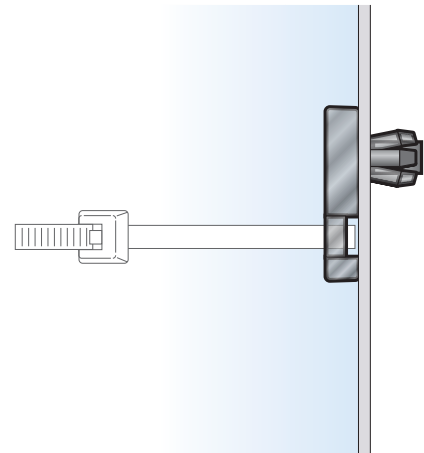
Cable Tie Mounts NY3256



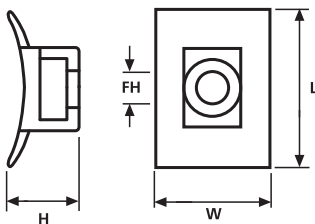
Wall fastening



LKCSF1



LKCRF1



Cable Tie Mounts LKC Series

Material Data	
Material	Polyamide 6.6 (PA66)
Operating Temperature	-40 °C to +85 °C Continuous, (+105 °C for 500 h)
Flammability	UL94 V2



Technical Table

Article-No.	Type	Length (L)	Width (W)	Height (H)	Fixing Hole Ø (FH)	Strap Width max. (G)	Material	Colour
151-27010	LKC	25.0	17.0	13.5	8.0	8.0	PA66	Black (BK)
151-27019	LKC	25.0	17.0	13.5	5.5	8.0	PA66	Natural (NA)
151-27219	LKCSF1	40.0	19.0	16.8	6.0	13.0	PA66	Natural (NA)
151-27202	LKCSF1	40.0	19.0	16.8	6.0	13.0	PA66	Black (BK)
151-00102	LKCRF1	24.0	12.0	4.0	6.4	4.8	PA66	Black (BK)
151-27009	LKCRF1	24.0	12.0	4.0	6.4	4.8	PA66	Natural (NA)
151-25219	NY3256	13.5	12.0	7.8	3.0	8.0	PA66	Natural (NA)

All dimensions in mm. Subject to technical changes.