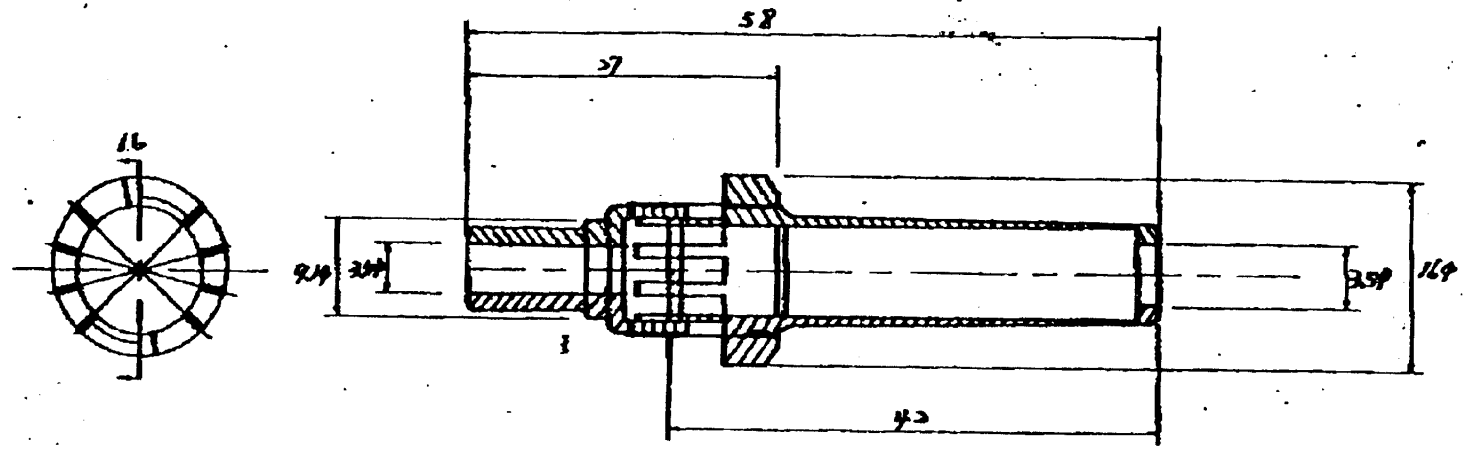


**IN-LINE FUSEHOLDER BAYONET TYPE**

**SPECIFICATIONS:**

- Applicable For Fuse type AGC, SPE, JSO and MFA
- Electrical Rating for currents up to 5A, when trigger spring is installed for fuse size.
- Construction: Body: PE, PL.
- Contacts: Brass
- NOTE: WITH OTHER WIRE SIZES OR LENGTHS AVAILABLE ON SPECIAL ORDER

UR REF. NO. 09/06-Q08F  
 File No. 10303  
 B/No. 532983 Fuse Holder(5x20)  
 B/No. 532991 Fuse Holder(6x30)



- A. Best-No. 532983  
 SPRING: LENGTH 35mm x 17 Laps
- B. Best-No. 532991  
 SPRING: LENGTH 22mm x 12 Laps

Ref 09/19-002F  
 File 10303