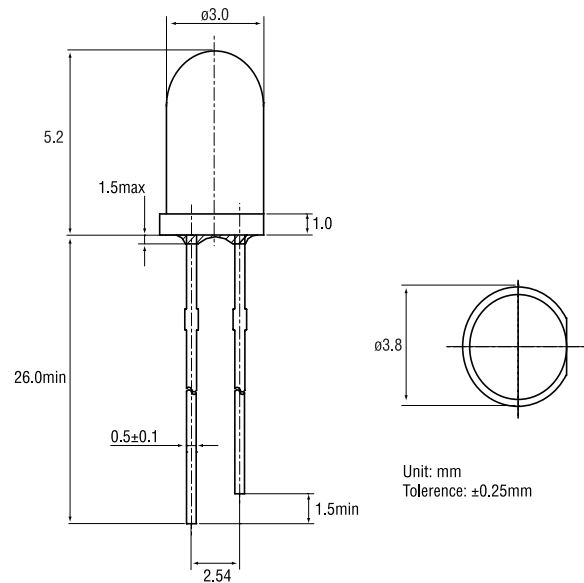




Outline dimensions:



Features:

- High power LED
- 3mm Standard directivity
- Superior weather-resistance
- UV Resistant epoxy
- Water clear type

Applications:

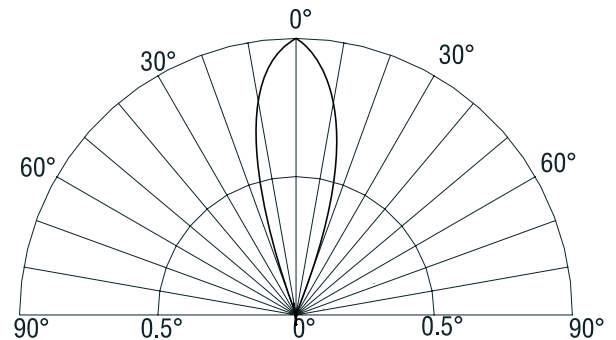
- Automotive dashboard lighting
- Back lighting

Absolute maximum rating (Ta=25°C)

Item	Symbol	Value	Unit
DC Forward current	I_F	30	mA
Pulse forward current*	I_{FP}	100	mA
Reverse voltage	V_R	5	V
Power dissipation	P_D	120	mW
Operating temperature	T_{opr}	-30 to +85	°C
Storage temperature	T_{stg}	-40 to +100	°C
Lead soldering temperature	T_{sol}	260°C/5 sec	-

* Pulse width max. 10ms Duty ratio max 1/10

Directivity:



Electrical - Optical characteristics (Ta=25°C)

Item	Symbol	Condition	Min.	Typ.	Max.	Unit
DC Forward voltage	V_F	$I_F = 20\text{mA}$	2.8	3.3	3.8	V
DC Reverse current	I_R	$V_R = 5\text{V}$	-	-	10	μA
Luminous intensity	I_V	$I_F = 20\text{mA}$	5800	7000	8400	mcd
Chromaticity coordinate*	x	$I_F = 20\text{mA}$	0.26	0.31	0.36	
	y	$I_F = 20\text{mA}$	0.24	0.30	0.34	
50% Power angle	$2\theta_{1/2}$	$I_F = 20\text{mA}$	-	30	-	deg