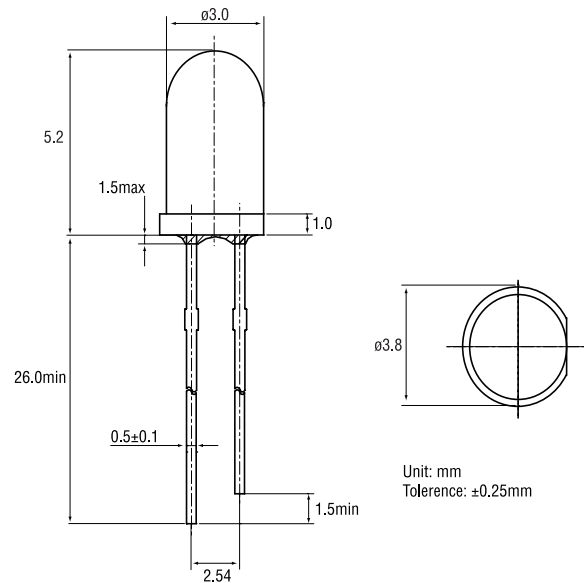




Outline dimensions:



Features:

- High power LED
- 3mm Standard directivity
- Superior weather-resistance
- UV Resistant epoxy
- Water clear type

Applications:

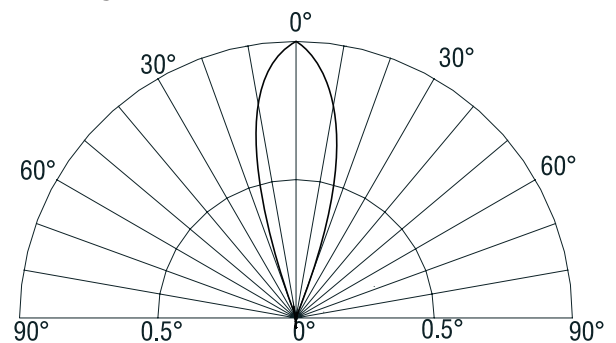
- Automotive dashboard lighting
- Back lighting

Absolute maximum rating ($T_a=25^\circ\text{C}$)

Item	Symbol	Value	Unit
DC Forward current	I_F	30	mA
Pulse forward current*	I_{FP}	100	mA
Reverse voltage	V_R	5	V
Power dissipation	P_D	120	mW
Operating temperature	T_{opr}	-30 to +85	$^\circ\text{C}$
Storage temperature	T_{stg}	-40 to +100	$^\circ\text{C}$
Lead soldering temperature	T_{sol}	260 $^\circ\text{C}$ /5 sec	-

* Pulse width max. 10ms Duty ratio max 1/10

Directivity:



Electrical - Optical characteristics ($T_a=25^\circ\text{C}$)

Item	Symbol	Condition	Min.	Typ.	Max.	Unit
DC Forward voltage	V_F	$I_F = 20\text{mA}$	2.8	3.3	3.8	V
DC Reverse current	I_R	$V_R = 5\text{V}$	-	-	10	μA
Luminous intensity	I_V	$I_F = 20\text{mA}$	1560	2180	3000	mcd
Chromaticity coordinate*	x	$I_F = 20\text{mA}$	0.35	0.40	0.45	
	y	$I_F = 20\text{mA}$	0.15	0.20	0.25	
50% Power angle	$2\theta_{1/2}$	$I_F = 20\text{mA}$	-	30	-	deg