



Features:

- High luminous LEDs
- 10mm Round standard directivity
- Superior weather-resistance
- Flashing type
- Water clear type

Applications:

- Toys
- Games
- Audio
- Other lighting

Absolute maximum rating (Ta=25°C)

Item	Symbol	Value	Unit
Power supply	Voltage	5	V
Operating temperature	Topr	-30 to +85	°C
Storage temperature	Tstg	-40 to +100	°C
Lead soldering temperature	Tsol	260°C/5sec	-

Electrical – Optical characteristics (Ta=25°C)

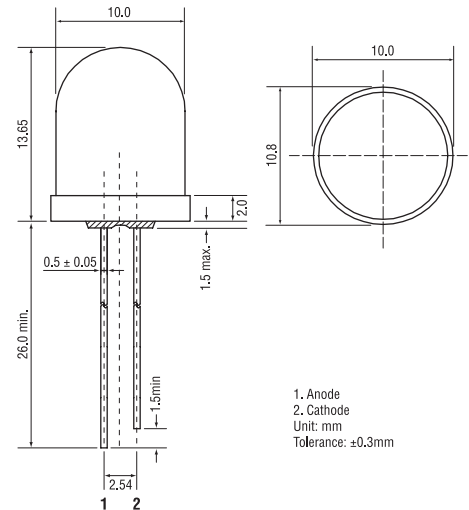
Item	Symbol	Condition	Min.	Typ.	Max.	Unit
DC Forward voltage	V_{dd}	$I_F = 20\text{mA}$	3.8	4.5	5.0	V
Oscillator frequency*1	F_{led}	$I_F = 20\text{mA}$	-	33	-	S
Duty cycle	Duty	$I_F = 20\text{mA}$	-	-	-	-
Domi. Wavelength*2	λ_D (Red)	$I_F = 20\text{mA}$	620	625	630	nm
	λ_D (Blue)	$I_F = 20\text{mA}$	465	470	475	nm
	λ_D (Green)	$I_F = 20\text{mA}$	520	525	530	nm
Luminous intensity*3	I_V (Red)	$I_F = 20\text{mA}$	4200	5800	-	mcd
	I_V (Blue)	$I_F = 20\text{mA}$	3000	4200	-	mcd
	I_V (Green)	$I_F = 20\text{mA}$	4200	5800	-	mcd
50% Power angle	$2\theta_{1/2}$	$I_F = 20\text{mA}$	-	30	-	deg

*1 Tolerance of frequency is $\pm 20\%$

*2 Tolerance of dominant wavelength is $\pm 1\text{nm}$

*3 Tolerance of luminous intensity is $\pm 15\%$

Outline dimensions:



Directivity:

