



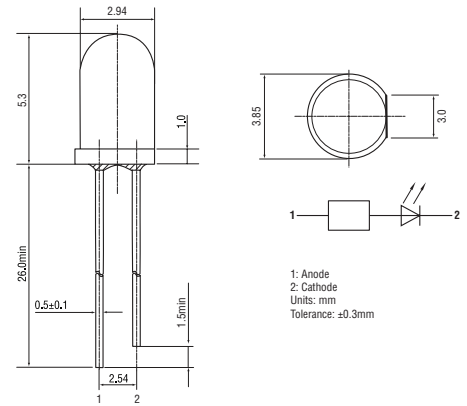
Features:

- High luminosity LEDs
- 3mm Round standard directivity
- Superior weather-resistance
- UV resistant epoxy
- Integral current limiting resistor
- TTL compatible (requires no external current limiter with 12 volt supply)
- Cost effective (saves space and resistor cost)
- Water clear type

Applications:

- Status indicators
- Other lighting

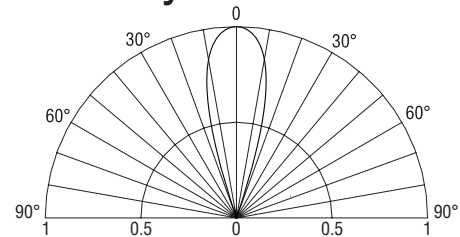
Outline dimensions:



Absolute maximum rating (Ta=25°C)

Item	Symbol	Value	Unit
DC Forward voltage	V_F	12	V
Reverse voltage	V_R	5.0	V
Power dissipation	P_D	120	mW
Operating temperature	T_{opr}	-30 to +85	°C
Storage temperature	T_{stg}	-40 to +100	°C
Lead soldering temperature	T_{sol}	260°C/5sec	-

Directivity:



Electrical - Optical characteristics (Ta=25°C)

Item	Symbol	Condition	Min.	Typ.	Max.	Unit
DC Forward current	I_F	$V_F=12V$	-	10	15	mA
DC Reverse current	I_R	$V_R=5V$	-	-	10	μA
Chromaticity coordinates*	x	$V_F=12V$	-	0.45	-	
	y	$V_F=12V$	-	0.41	-	
Luminous intensity†	I_V	$V_F=12V$	2180	3000	-	mcd
50% Power angle	$2\theta_{1/2}$	$V_F=12V$	-	30	-	deg

* Tolerance of dominant wavelength is $\pm 10\%$

† Tolerance of luminous intensity is $\pm 15\%$

InGaN and Si Resistor LED

Typical electrical/optical characteristic curves

