

4.85mm Diamond Flashing Blue LED 1.8Hz 1/2 Duty Cycle

Order code: **55-1200**

MPN: OSB5SSEDD1A

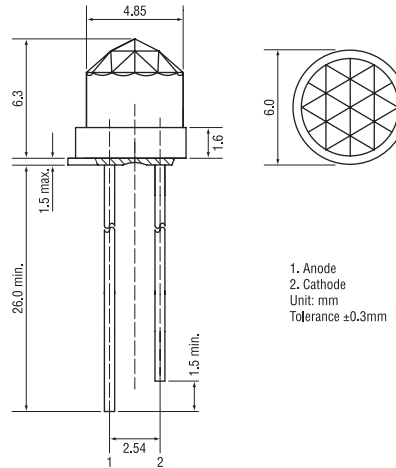
Features

- High luminous LEDs
- Diamond standard directivity
- Superior weather-resistance
- Flashing type
- Water clear type

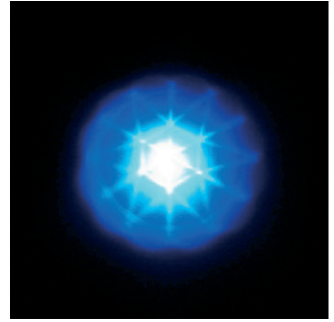
Application

- Toys
- Decoration
- Other lighting

Outline dimensions:



Directivity:



Absolute maximum ratings (Ta = 25°C)

Item	Symbol	Value	Unit
Power supply	Voltage	5.0	V
Operating temperature	T _{opr}	-30 to +85	°C
Storage temperature	T _{stg}	-40 to +100	°C
Lead soldering temperature	T _{sol}	260°C/5 sec	-

Electrical – Optical characteristics

Item	Symbol	Condition	Min.	Typ.	Max.	Unit
DC Forward voltage	V _{dd}	I _F = 20mA	3.0	3.3	5.0	V
Oscillator frequency ¹	F _{led}	I _F = 20mA	-	1.8	-	Hz
Duty cycle	Duty	I _F = 20mA	-	1/2	-	-
Dominant wavelength ²	λ _D	I _F = 20mA	465	470	475	nm
Luminous intensity ³	I _V	I _F = 20mA	400	600	-	mcd
50% Power angle	2θ _{1/2}	I _F = 20mA	-	-	-	deg

1 Tolerance of frequency is ±20%

2 Tolerance of dominant wavelength is ±1nm

3 Tolerance of luminous intensity is ±15%