

5mm Round Flashing Pink LED

1.8Hz 1/2 duty cycle

Order code: **55-1210**

MPN: OSK5DS5A31A



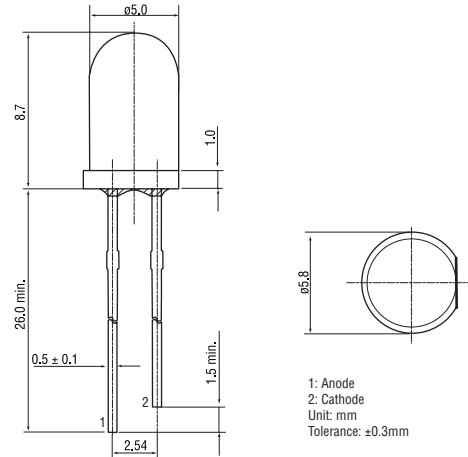
Features

- High luminous LEDs
- 5mm Round standard directivity
- Superior weather-resistance
- Flashing type
- Water clear type

Application

- Toys
- Games
- Audio
- Other lighting

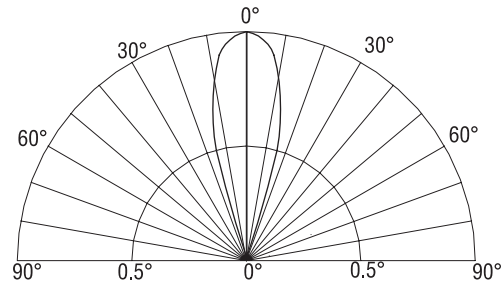
Outline dimensions:



Absolute maximum ratings (Ta = 25°C)

Item	Symbol	Value	Unit
Power supply	Voltage	5.0	V
Operating temperature	T _{opr}	-30 to +85	°C
Storage temperature	T _{stg}	-40 to +100	°C
Lead soldering temperature	T _{sol}	260°C/5 sec	-

Directivity:



Electrical – Optical characteristics

Item	Symbol	Condition	Min.	Typ.	Max.	Unit
DC Forward voltage	V _{dd}	I _F = 20mA	3.0	3.3	5.0	V
DC Reverse current	I _g	V _R = 5V	-	-	10	μA
Oscillator frequency ¹	F _{led}	I _F = 20mA	-	1.8	-	Hz
Duty cycle	Duty	I _F = 20mA	-	1/2	-	-
Luminous intensity ²	I _v	I _F = 20mA	1500	2500	-	mcd
Chromaticity coordinates ³	x	I _F = 20mA	-	0.45	-	
	y	I _F = 20mA	-	0.17	-	
50% Power angle	2θ _{1/2}	I _F = 20mA	-	30	-	deg

1 Tolerance of frequency is ±20%

2 Tolerance of luminous intensity is ±15%

3 Tolerance of chromaticity coordinates is ±10%