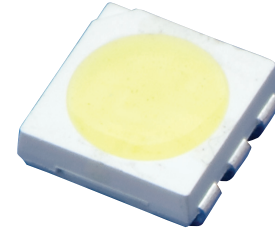


Features:

- High luminous PLCC6 top SMD LEDs
- 5.0 x 5.0 x 1.5mm Standard directivity
- Long lifetime operation
- Superior weather-resistance
- Yellow diffused type



Applications

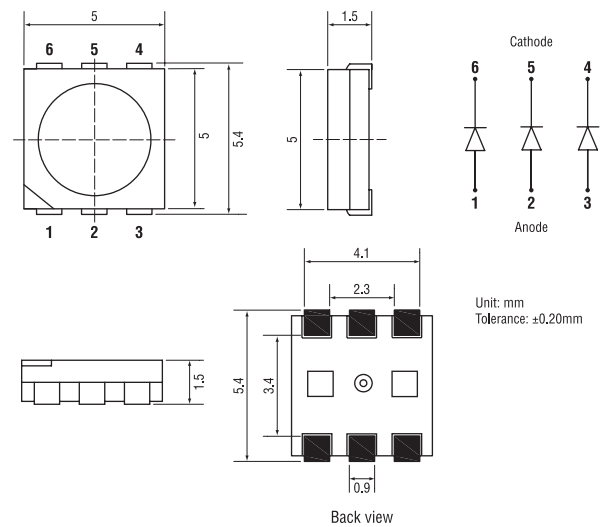
- Backlighting (switches, keys, displays, illuminated advertising etc.)
- Substitution of micro incandescent lamps
- Marker lights (e.g. steps, exit ways, etc.)
- Other lighting

Absolute maximum rating (Ta=25°C)

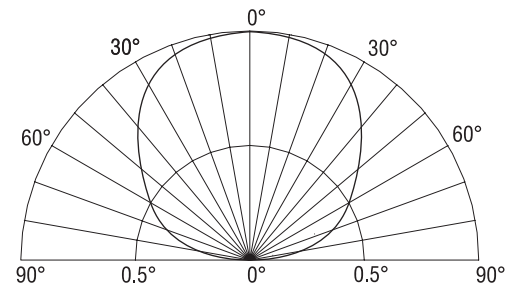
Item	Symbol	Value	Unit
DC forward current	I_F	80	mA
Pulse forward current*	I_{FP}	120	mA
Reverse voltage	V_R	5	V
Power dissipation	P_D	288	mW
Operating temperature	T_{opr}	-30 to +85	°C
Storage temperature	T_{stg}	-40 to +100	°C
Lead soldering temperature	T_{sol}	260°C/5 sec	-

*Pulse width max. 10ms. Duty ratio max. 1/10

Outline dimensions:



Directivity:



Electrical - Optical characteristics (Ta=25°C)

Item	Symbol	Condition	Min.	Typ.	Max.	Unit
DC Forward voltage	V_F	$I_F = 60\text{mA}$	3.0	3.2	3.6	V
DC Reverse current	I_R	$V_R = 5\text{V}$	-	-	30	μA
Luminous intensity*1	I_V	$I_F = 60\text{mA}$	8400	10000	-	mcd
Luminous flux	Φ_V	$I_F = 60\text{mA}$	17	20	-	lm
Colour temperature	CCT	$I_F = 60\text{mA}$	-	6500	-	K
Chromaticity coordinates*2	x	$I_F = 60\text{mA}$	-	0.31	-	
	y	$I_F = 60\text{mA}$	-	0.33	-	
50% Power angle	$2\theta_{1/2}$	$I_F = 60\text{mA}$	-	120	-	deg

*1 Tolerance of luminous intensity is $\pm 15\%$
*2 Tolerance of chromaticity coordinate is $\pm 10\%$