

Features:

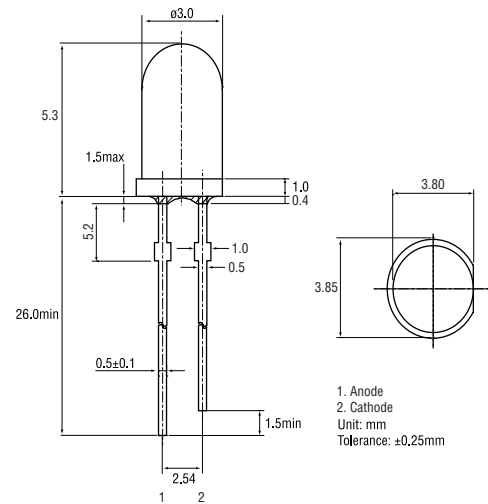
- High luminous LEDs
- 3mm Round standard directivity
- Long lifetime operation
- Superior weather-resistance
- UV resistant epoxy
- Water clear type

Applications

- Electronic signs and signals
- Small area illuminations
- Back lighting
- Other lighting



Outline dimensions:



Absolute maximum rating (Ta=25°C)

Item	Symbol	Value	Unit
DC forward current	I_F	30	mA
Pulse forward current*	I_{FP}	100	mA
Reverse voltage	V_R	5	V
Power dissipation	P_D	108	mW
Operating temperature	T_{opr}	-30 to +85	°C
Storage temperature	T_{stg}	-40 to +100	°C
Lead soldering temperature	T_{sol}	260°C/5 sec	-

*Pulse width max. 10ms. Duty ratio max. 1/10

Electrical - Optical characteristics (Ta=25°C)

Item	Symbol	Condition	Min.	Typ.	Max.	Unit
DC Forward voltage	V_F	$I_F = 20\text{mA}$	2.9	3.1	3.6	V
DC Reverse current	I_R	$V_R = 5\text{V}$	-	-	10	μA
Luminous intensity*1	I_V	$I_F = 20\text{mA}$	750	1120	-	mcd
Chromaticity coordinates*2	x	$I_F = 20\text{mA}$	-	0.31	-	
	y	$I_F = 20\text{mA}$	-	0.33	-	
50% Power angle	$2\theta_{1/2}$	$I_F = 20\text{mA}$	-	60	-	deg

*1 Tolerance of luminous intensity is $\pm 15\%$
 *2 Tolerance of chromaticity coordinate is $\pm 10\%$

Directivity:

