

Features:

- High Luminous LEDs
- 5mm Round Standard Directivity
- Long Lifetime Operation
- Superior Weather-resistance
- UV Resistant Epoxy
- Water Clear Type

Applications

- Electronic signs and signals
- Small area illuminations
- Back lighting
- Other lighting

Absolute maximum rating (Ta=25°C)

Item	Symbol	Value	Unit
DC forward current	I_F	30	mA
Pulse forward current*	I_{FP}	100	mA
Reverse voltage	V_R	5	V
Power dissipation	P_D	108	mW
Operating temperature	T_{opr}	-30 to +85	°C
Storage temperature	T_{stg}	-40 to +100	°C
Lead soldering temperature	T_{sol}	260°C/5sec	-

*Pulse width max. 10ms. Duty ratio max. 1/10

Electrical - Optical characteristics (Ta=25°C)

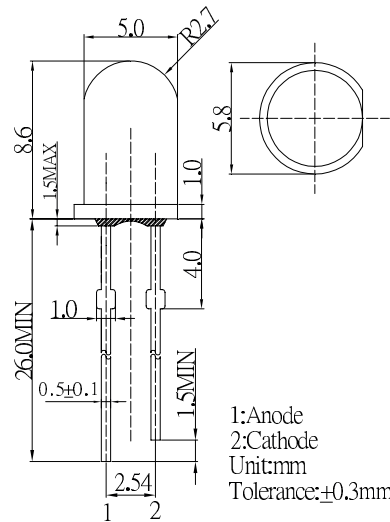
Item	Symbol	Condition	Min.	Typ.	Max.	Unit
DC forward voltage ³	V_F	$I_F = 20\text{mA}$	2.9	3.1	3.6	V
DC reverse current	I_R	$V_R = 5\text{V}$	-	-	10	μA
Luminous intensity ²	I_V	$I_F = 20\text{mA}$	4200	5800	-	mcd
Chromaticity Coordinates* ¹	x	$I_F = 20\text{mA}$	-	0.31	-	
	y	$I_F = 20\text{mA}$	-	0.33	-	
50% Power angle	$2\theta_{1/2}$	$I_F = 20\text{mA}$	-	60	-	deg

*1 Tolerance of measurements of chromaticity coordinate is $\pm 10\%$

*2 Tolerance of measurements of luminous intensity is $\pm 15\%$

*3 Tolerance of measurements of forward voltage is $\pm 0.1\text{V}$

Outline dimensions:



Directivity:

