

Features:

- High luminous LEDs
- 1.8 ϕ Standard directivity
- Superior weather resistance
- UV resistant epoxy
- Water clear type

Applications

- General purpose indicators
- Small area illuminations
- Back lighting



Absolute maximum rating (Ta=25°C)

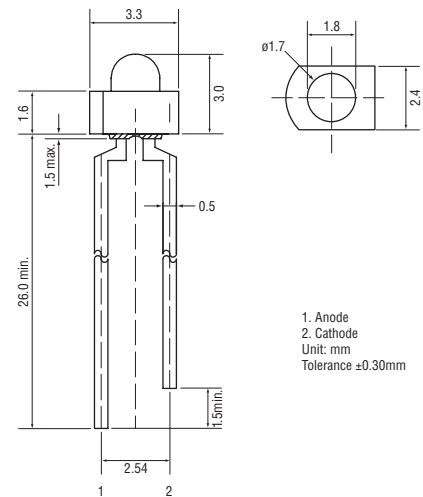
Item	Symbol	Value	Unit
DC forward current	I_F	30	mA
Pulse forward current*	I_{FP}	100	mA
Reverse voltage	V_R	5	V
Power dissipation	P_D	108	mW
Operating temperature	T_{opr}	-30 to +85	°C
Storage temperature	T_{stg}	-40 to +100	°C
Lead soldering temperature	T_{sol}	260°C/5 sec	-

*Pulse width max. 10ms. Duty ratio max. 1/10

Electrical - Optical characteristics (Ta=25°C)

Item	Symbol	Condition	Min.	Typ.	Max.	Unit
DC Forward voltage	V_F	$I_F = 20\text{mA}$	2.8	3.3	3.8	V
DC Reverse current	I_R	$V_R = 5\text{V}$	-	-	10	μA
Luminous intensity	I_v	$I_F = 20\text{mA}$	500	750	1120	mcd
Chromaticity Coordinate	x	$I_F = 20\text{mA}$	0.35	0.40	0.45	-
	y	$I_F = 20\text{mA}$	0.15	0.20	0.28	-
50% Power angle	$2\theta_{1/2}$	$I_F = 20\text{mA}$	-	30	-	deg

Outline dimensions:



Directivity:

